

THIS DOCUMENT HAS BEEN DIGITALLY SIGNED AND SEALED BY:

John M. Reese
John M. Reese
jreese@fisherarnold.com
2026.02.27 10:11:07-06'00'

PRINTED COPIES OF THIS DOCUMENT ARE NOT CONSIDERED SIGNED AND SEALED. THE SIGNATURE MUST BE VERIFIED ON THE ELECTRONIC DOCUMENTS.

FISHER ARNOLD, INC.
9180 CRESTWYN HILLS DRIVE
MEMPHIS, TN 38125
JOHN M. REESE, P.E. 118371

THE ABOVE NAMED PROFESSIONAL ENGINEER SHALL BE RESPONSIBLE FOR THE FOLLOWING SHEETS IN ACCORDANCE OF TENN. CODE ANN. §62-2-306.

SHEET NAME	SHEET NO.
SIGNATURE SHEET	ROADWAY-SIGN1
TITLE SHEET	1
ROADWAY INDEX, STANDARD ROADWAY DRAWINGS, AND STANDARD TRAFFIC DESIGN DRAWINGS	1A
PROJECT COMMITMENTS	1B
ESTIMATED ROADWAY QUANTITIES	2
TYPICAL SECTIONS AND PAVEMENT SCHEDULE	2B
GENERAL NOTES.....	2C
SPECIAL NOTES.....	2D
ENVIRONMENTAL NOTES.....	2E, 2E1
TABULATED QUANTITIES	2F, 2F1
UTILITY NOTES AND UTILITY OWNERS.....	3
PAVEMENT EDGE DROP-OFF NOTES FOR TRAFFIC CONTROL.....	T1

YEAR	PROJECT NO.	SHEET NO.
2026	STP/HSIP-1(477)	ROADWAY-SIGN1

STATE OF TENNESSEE
DEPARTMENT OF TRANSPORTATION

SIGNATURE
SHEET

Index Of Sheets
SEE SHEET NO. 1A

STATE OF TENNESSEE DEPARTMENT OF TRANSPORTATION BUREAU OF ENGINEERING

SHELBY COUNTY

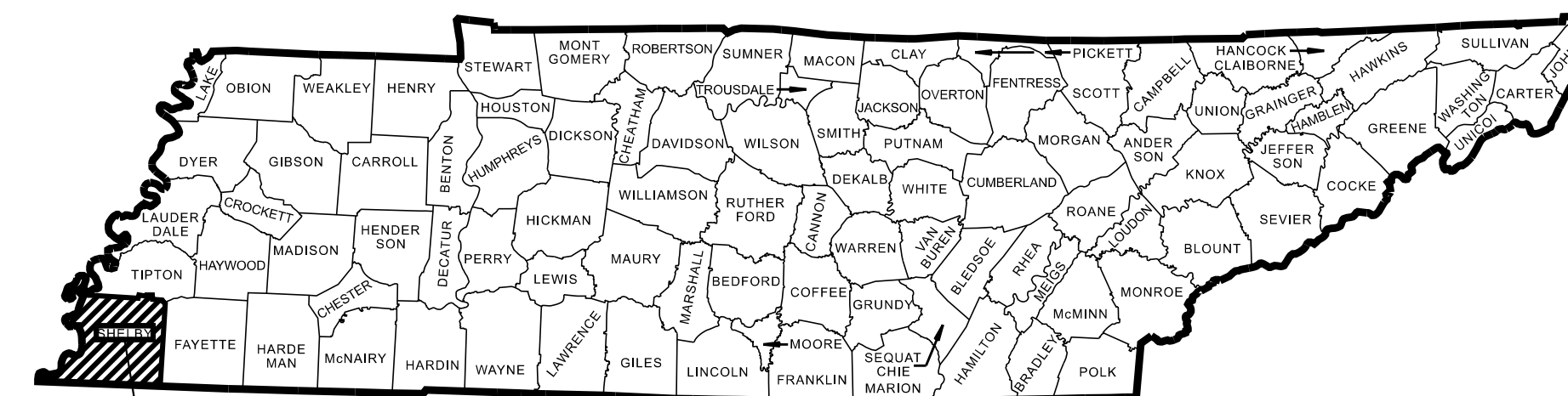
STATE ROUTE 1
FROM NEAR DANNY THOMAS BOULEVARD
TO NEAR TILLMAN STREET

RESURFACE & SAFETY
MILL, 411D, PAVEMENT MARKINGS, AND GUARDRAIL

STATE HIGHWAY NO. 1 F.A.H.S. NO. 64, 70 & 79

DOES THIS PROJECT QUALIFY FOR UTILITY CHAPTER 86	YES	NO X
WORK ZONE SIGNIFICANCE DETERMINATION		
SIGNIFICANT	YES	NO X
RAILROAD INVOLVEMENT	YES	NO X

TENN.	YEAR	SHEET NO.
	2026	1
FED. AID PROJ. NO.	STP/HSIP-1(477)	
STATE PROJ. NO.	79S001-F3-007	
STATE PROJ. NO.	79S001-F8-007	
STATE PROJ. NO.	79S001-M3-006	



PROJECT LOCATION
BRIDGE ID. # 79I00400035 79SR0830011 79SR0830013 79SR0010043 79SR0010017 79SR0010009

STP/HSIP-1(477)
79S001-F3-007
END PROJECT NO. 79S001-F8-007 RESURFACE & SAFETY
NEAR TILLMAN STREET (L.M. 7.82)

BRIDGE REPAIR PROJECT NO. 79S001-M3-006
BRIDGE ID. #79I00400035
L.M. 4.38 I-40

STP/HSIP-1(477)
79S001-F3-007
BEGIN PROJECT NO. 79S001-F8-007 RESURFACE & SAFETY
NEAR DANNY THOMAS BOULEVARD (L.M. 3.44)

SPECIAL NOTES

PROPOSALS MAY BE REJECTED BY THE COMMISSIONER IF ANY OF THE UNIT PRICES CONTAINED THEREIN ARE OBVIOUSLY UNBALANCED, EITHER EXCESSIVE OR BELOW THE REASONABLE COST ANALYSIS VALUE.

THIS PROJECT TO BE CONSTRUCTED UNDER THE STANDARD SPECIFICATIONS OF THE TENNESSEE DEPARTMENT OF TRANSPORTATION DATED APRIL 1, 2026 AND ADDITIONAL SPECIFICATIONS AND SPECIAL PROVISIONS CONTAINED IN THE PLANS AND IN THE PROPOSAL CONTRACT.

TDOT PROJECT MANAGER: ELI JONES, REGION 4

DESIGN FIRM : FISHER ARNOLD, INC.

DESIGNER : JAMES HUTCHSON DUNAVANT CHECKED BY JOHN REESE, P.E.

P.E. NO. 98043-4283-04

PIN NO. 123947.00



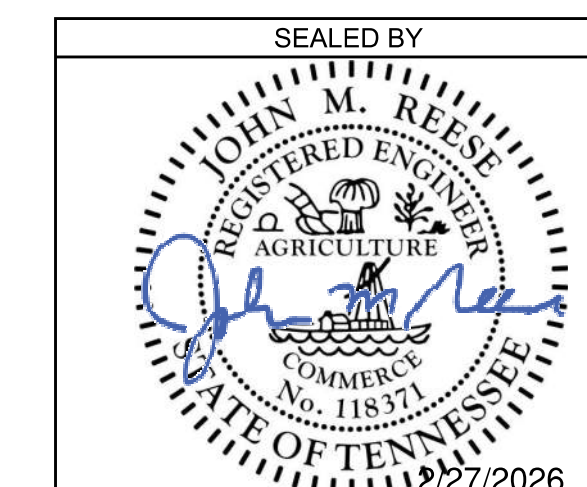
SCALE: 1"= 5280



PROJECT LENGTH 4.38 MILES
TOTAL LANE MILES RESURFACED 24.78 MILES



NO EXCLUSIONS



APPROVED:
SHANE HESTER, CHIEF ENGINEER

DATE:

APPROVED:
WILL REID, COMMISSIONER

TRAFFIC COUNTER & WEATHER STATIONS	
STATION LOCATION	LOG MILE
TC STATION 468	3.652
TC STATION 268	4.558
TC STATION 269	6.579
TC STATION 159	6.746

TRAFFIC DATA	
ADT (2026)	20,244
POSTED SPEED L.M. 3.44 - 3.47	35 MPH
POSTED SPEED L.M. 3.47 - 6.68	40 MPH
SCHOOL ZONE L.M. 5.70 - 5.83	15 MPH
POSTED SPEED L.M. 6.68 - 7.81	35 MPH

ROADWAY INDEX

SHEET NAME	SHEET NO.
SIGNATURE SHEET	ROADWAY-SIGN1
TITLE SHEET	1
ROADWAY INDEX, STANDARD ROADWAY DRAWINGS, AND STANDARD TRAFFIC DESIGN DRAWINGS	1A
PROJECT COMMITMENTS	1B
ESTIMATED ROADWAY QUANTITIES	2
TYPICAL SECTIONS AND PAVEMENT SCHEDULE	2B
GENERAL NOTES	2C
SPECIAL NOTES	2D
ENVIRONMENTAL NOTES	2E, 2E1
TABULATED QUANTITIES	2F, 2F1
UTILITY NOTES AND UTILITY OWNERS	3
PAVEMENT EDGE DROP-OFF NOTES FOR TRAFFIC CONTROL	T1
BRIDGE REPAIR PLANS	B-1
NO UTILITY SHEETS ARE INCLUDED IN THIS PLAN SET.	

STANDARD ROADWAY DRAWINGS

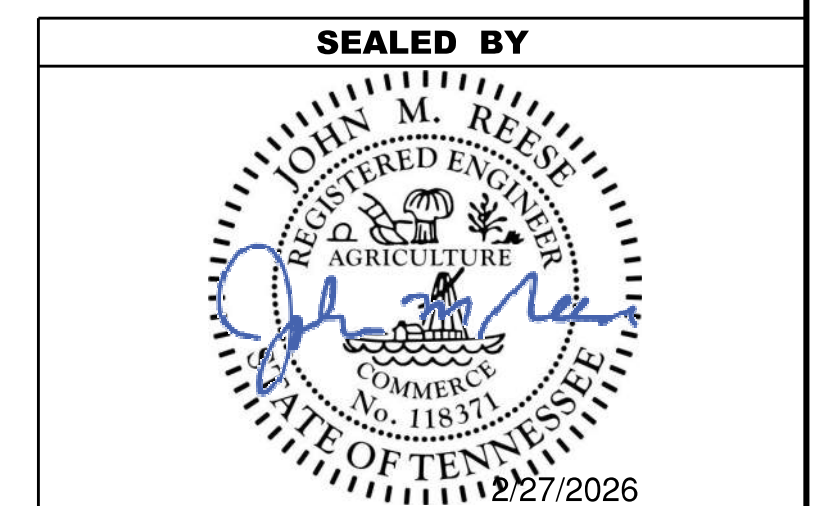
DWG.	REV.	DESCRIPTION
10-100.00 STANDARD ROADWAY TITLE SHEET, ABBREVIATIONS, AND LEGENDS		
RD-TP-1	09-26-16	STANDARD ROADWAY DRAWINGS TITLE SHEET
RD-A-1	02-20-20	STANDARD ABBREVIATIONS A THROUGH L
RD-A-2		STANDARD ABBREVIATIONS M THROUGH Z
RD-L-1	01-30-26	STANDARD LEGEND
RD-L-1A		STANDARD LEGEND
10-107.00 MULTIMODAL		
MM-PM-2	07-30-24	SIGNING AND PAVEMENT MARKINGS FOR BICYCLE LANE OR ROUTES
MM-PM-3	06-15-21	SIGNING AND PAVEMENT MARKINGS FOR BICYCLE LANES ON URBAN ROADWAYS
MM-PM-4		SIGNING AND PAVEMENT MARKINGS FOR BICYCLE LANES
MM-PM-5	05-04-22	SIGNING AND PAVEMENT MARKINGS FOR BICYCLE LANES AT INTERSECTIONS
10-108.00 SAFETY DESIGN AND GUARDRAILS		
S-GRS-4	05-04-22	SPECIAL CASE GUARDRAIL HEIGHT TRANSITION DETAIL
S-GRT-3	06-28-19	TYPE 21 GUARDRAIL END TERMINAL

STANDARD TRAFFIC DESIGN DRAWINGS

DWG.	REV.	DESCRIPTION
10-204.00 DESIGN - TRAFFIC CONTROL		
T-M-1	01-24-25	DETAILS OF PAVEMENT MARKINGS FOR CONVENTIONAL ROADS AND MARKING ABBREVIATIONS
T-M-2	01-24-25	DETAILS OF PAVEMENT MARKINGS FOR CONVENTIONAL ROADS
T-M-3	01-24-25	MARKING STANDARDS FOR TRAFFIC ISLANDS, PAVED SHOULDERS AND MEDIANS FOR CONVENTIONAL ROADS
T-M-4	01-24-25	STANDARD INTERSECTION PAVEMENT MARKINGS
T-WZ-10	03-26-25	ADVANCE ROAD WORK SIGNING ON HIGHWAYS AND FREEWAYS
T-WZ-11	03-26-25	ONE LANE CLOSURE DETAIL ON DIVIDED HIGHWAYS
T-WZ-22		ONE LANE CLOSURE DETAIL FOR UNDIVIDED HIGHWAYS
T-WZ-40	03-26-25	RIGHT LANE CLOSURES AT NEAR SIDE OF INTERSECTIONS
T-WZ-41	03-26-25	LEFT LANE CLOSURES AT NEAR SIDE OF INTERSECTIONS
T-WZ-42	03-26-25	CENTER LANE CLOSURES AT NEAR SIDE OF INTERSECTIONS
T-WZ-FAB1	03-26-25	FLASHING YELLOW ARROW BOARD

TYPE	YEAR	PROJECT NO.	SHEET NO.
RESURF	2026	STP/HSP-1(477)	1A

2/26/2026 1:34:01 PM Z:\HDCOR\0009\TR\TRANSPORTATION\JUNE 2026\123947.00 - SR1 - SHELBY CO\1A_INDEX AND STANDARD DRAWINGS.DGN

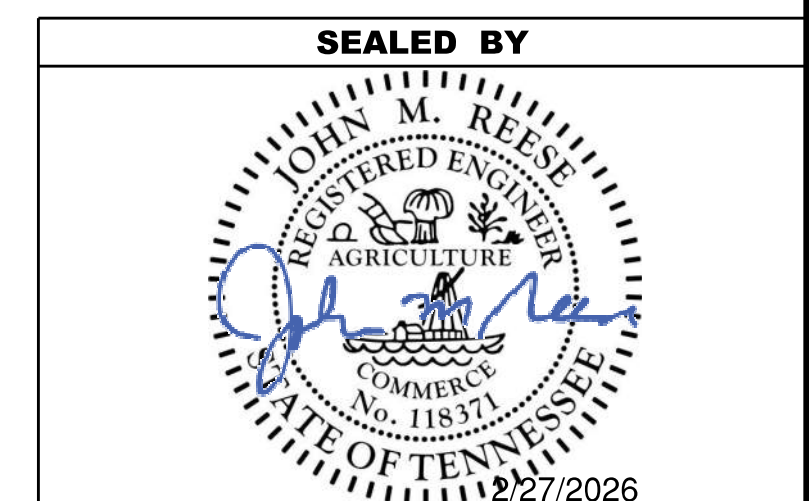


**STATE OF TENNESSEE
DEPARTMENT OF TRANSPORTATION**

ROADWAY INDEX,
STANDARD ROADWAY
DRAWINGS, AND
STANDARD TRAFFIC
DESIGN DRAWINGS

TYPE	YEAR	PROJECT NO.	SHEET NO.
RESURF	2026	STP/HSIP-1(477)	1B

PROJECT COMMITMENTS			
COMMITMENT ID	SOURCE DIVISON	DESCRIPTION	STA. / LOCATION
EDHZ001	ENVIRONMENTAL DIVISION, HAZARDOUS MATERIALS	AN ASBESTOS CONTAINING MATERIAL (ACM) SURVEY WAS COMPLETED ON BRIDGE NO. 79100400035 SR-1 OVER I-40 LM 4.38 (79-SR001-04.38). NO ASBESTOS WAS DETECTED. PLEASE SEE THE REPORT FOR FURTHER DETAILS AND PHOTOGRAPHS. NO SPECIAL ACCOMMODATIONS FOR DEMOLITION AND WASTE DISPOSAL ARE ANTICIPATED FOR THESE STRUCTURES AND THE MATERIAL CAN BE DEPOSITED IN A C&D LANDFILL. PRIOR TO THE DEMOLITION OR REHABILITATION OF ANY STRUCTURE (BRIDGE OR BUILDING), THE CONTRACTOR IS REQUIRED TO SUBMIT THE NATIONAL EMISSION STANDARDS FOR HAZARDOUS AIR POLLUTANTS STANDARD 10-DAY NOTICE OF DEMOLITION TO THE TDEC DIVISION OF AIR POLLUTION CONTROL (PER TDOT STANDARD SPECIFICATIONS FOR ROAD AND BRIDGE CONSTRUCTION (JANUARY 1, 2021) SECTIONS 107.08.D AND 202.03).	BRIDGE



**STATE OF TENNESSEE
DEPARTMENT OF TRANSPORTATION**

PROJECT
COMMITMENTS

ESTIMATED ROADWAY QUANTITIES

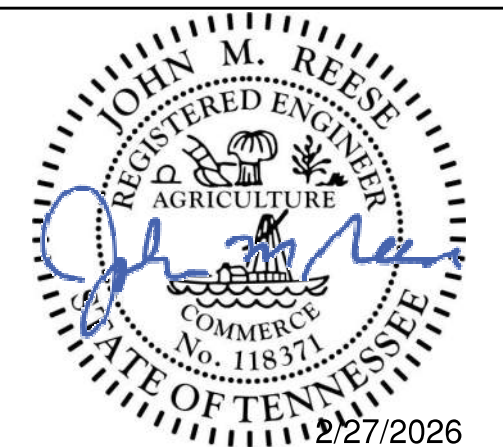
ITEM NO.	DESCRIPTION	UNIT	QUANTITY		TOTAL QUANTITY
			79S001-F8-007	79S001-F3-007	
(1)	202-03.01 REMOVAL OF ASPHALT PAVEMENT	S.Y.	1000		1000
(2)	307-02.01 ASPHALT CONCRETE MIX (PG70-22) (BPMB-HM) GRADING A	TON	230		230
(3)	403-02.01 TRACKLESS TACK COAT	TON	81		81
(4)(5)	411-01.21 LONGITUDINAL JOINT SEALANT	L.M.	17		17
(6)	411-02.10 ACS MIX(PG70-22) GRADING D	TON	12375		12375
(7)	415-01.01 COLD PLANING BITUMINOUS PAVEMENT	TON	12259		12259
(8)	611-03.04 GRAY IRON CASTINGS (CATCHBASIN)	LB.		19250	19250
(9)	705-02.10 GUARDRAIL TRANSITION 27IN TO 31IN	EACH		1	1
(9)	705-06.30 GR TERMINAL (ENERGY ABSORBING) MASH TL-2	EACH		1	1
(9)	706-01 GUARDRAIL REMOVED	L.F.		25	25
(10)	712-01 TRAFFIC CONTROL	LS	1		1
	712-04.01 FLEXIBLE DRUMS (CHANNELIZING)	EACH	92		92
(11)	712-06 SIGNS (CONSTRUCTION)	S.F.	2810		2810
	712-08.03 ARROW BOARD (TYPE C)	EACH	4		4
	713-16.01 CHANGEABLE MESSAGE SIGN UNIT	EACH	2		2
	716-01.21 SNOWPLOWABLE RAISED PAVEMENT MARKERS (BI-DIR) (1 COLOR)	EACH		320	320
	716-01.22 SNOWPLOWABLE RAISED PAVEMENT MARKERS (MONO-DIR)(1 COLOR)	EACH		700	700
(12)(13)	716-02.04 PLASTIC PAVEMENT MARKING(CHANNELIZATION STRIPING)	S.Y.	335		335
(12)(13)(14)	716-02.05 PLASTIC PAVEMENT MARKING (STOP LINE)	L.F.	1590	540	2130
(12)(13)	716-02.06 PLASTIC PAVEMENT MARKING (TURN LANE ARROW)	EACH	77		77
(12)(13)	716-02.08 PLASTIC PAVEMENT MARKING (8" DOTTED LINE)	L.F.	600		600
(12)(13)	716-02.09 PLASTIC PAVEMENT MARKING (LONGITUDINAL CROSS-WALK)	L.F.	1380	1700	3080
(12)(13)(15)	716-02.11 PLASTIC PAVEMENT MARKING (6" DOTTED LINE)	L.F.	705		705
(12)(13)	716-02.12 PLASTIC PAVEMENT MARKING (8IN LINE)	L.M.	1.2		1.2
(12)(13)	716-03.01 PLASTIC WORD PAVEMENT MARKING (ONLY)	EACH	65		65
(12)(13)	716-04.13 PLASTIC PAVEMENT MARKING (BIKELANE SYMBOL & ARROW)	EACH	12		12
(14)(16)	716-05.05 PAINTED PAVEMENT MARKING (STOP LINE)	L.F.	2130		2130
(16)	716-05.20 PAINTED PAVEMENT MARKING (6" LINE)	L.M.	35		35
(12)	716-12.02 ENHANCED FLATLINE THERMO PVMT MRKNG (6IN LINE)	L.M.	35		35
	717-01 MOBILIZATION	LS	1		1

FOOTNOTES

- (1) TO BE USED FOR A-MIX ASPHALT REPAIR ONLY.
- (2) FOR REPLACEMENT OF QUANTITY REMOVED UNDER ITEM 202-03.01.
- (3) INCLUDES 5 TONS FOR EXTRA WIDTH PAVING OF CITY STREETS AND 5 TONS FOR RAMPS.
- (4) USE CRAFTCO PAVEMENT JOINT ADHESIVE #34524. PAVON JOINT ADHESIVE BY PAVON CORPORATION OR DENSO TAPE BY DENSO.
- (5) TO BE USED FOR SEALING OF ALL SURFACE LAYER CONSTRUCTION JOINTS ALONG THE TRAVEL LANES AS DIRECTED BY THE ENGINEER.
- (6) INCLUDES 731 TONS FOR EXTRA WIDTH PAVING OF CITY STREETS AND 793 TONS FOR RAMPS.
- (7) INCLUDES 724 TONS FOR EXTRA WIDTH PAVING OF CITY STREETS AND 786 TONS FOR RAMPS.
- (8) COST TO INCLUDE REMOVAL OF EXISTING GRATE AND REPLACEMENT WITH BICYCLE FRIENDLY GRATES WHERE APPLICABLE, INCLUDING MATERIAL, PARTS, LABOR, EQUIPMENT, MACHINERY, TOOLS, OR APPARATUS NECESSARY FOR REMOVAL AND INSTALLATION. THE CONTRACTOR SHALL VERIFY GRATE DIMENSIONS IN THE FIELD. SEE CATCHBASIN LOCATIONS ON SHEET 2F.
- (9) SEE PROPOSED GUARDRAIL (RESURFACING) TABULATION ON SHEET 2F1.
- (10) THE CONTRACTOR SHALL COMPLY WITH SECTION 712 OF THE STANDARD SPECIFICATIONS FOR ROAD AND BRIDGE CONSTRUCTION REGARDING TEMPORARY TRAFFIC CONTROL AND THE CURRENT EDITION OF THE MANUAL ON UNIFORM TRAFFIC CONTROL DEVICES.
- (11) THE CONTRACTOR IS RESPONSIBLE FOR THE STAKING OF CONSTRUCTION SIGNS. IN THE EVENT THAT A CONSTRUCTION AND/OR REGULATORY SIGN IS TEMPORARILY DESIGNATED NOT IN USE DURING THE CONSTRUCTION PHASE OF A PROJECT, THE CONTRACTOR SHALL CHOOSE A SIGN COVERING APPROVED BY THE ENGINEER. TEMPORARY SIGN COVERINGS SHALL NOT BE PAID FOR DIRECTLY BUT SHALL BE INCLUDED IN THE PRICE BID FOR ITEM NO. 712-06 SIGNS (CONSTRUCTION). SEE TRAFFIC CONTROL SIGN TABULATION ON SHEET 2F1.
- (12) ITEM TO BE USED FOR FINAL PAVEMENT MARKING ONLY.
- (13) THE CONTRACTOR MAY ELECT TO SUBSTITUTE PREFORMED PLASTIC FOR THERMOPLASTIC. PREFORMED PLASTIC SHALL BE PAID FOR AT THE SAME UNIT PRICE AS BID FOR THERMOPLASTIC.
- (14) ALL STOP BARS ON SIDE STREETS WILL BE MARKED AS DIRECTED BY THE ENGINEER.
- (15) TO BE USED IN ACCORDANCE WITH TDOT STD. MM-PM-4 FOR BIKE LANES AT INTERSECTIONS.
- (16) ITEM TO BE USED FOR TEMPORARY PAVEMENT MARKING ONLY.

TYPE	YEAR	PROJECT NO.	SHEET NO.
RESURF	2026	STP/HISP-1(477)	2

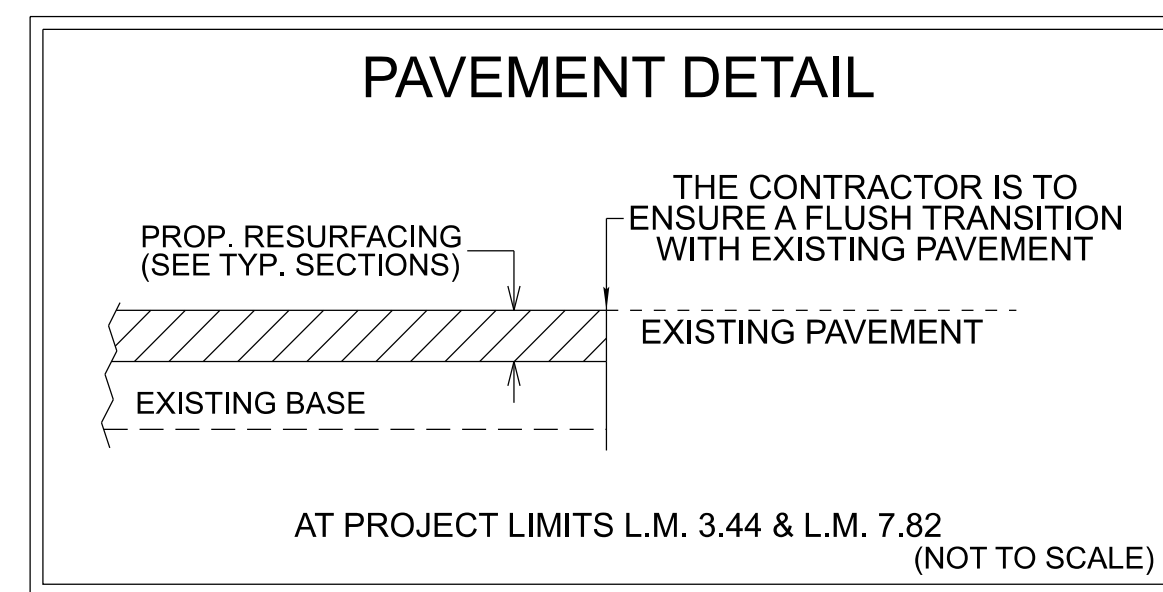
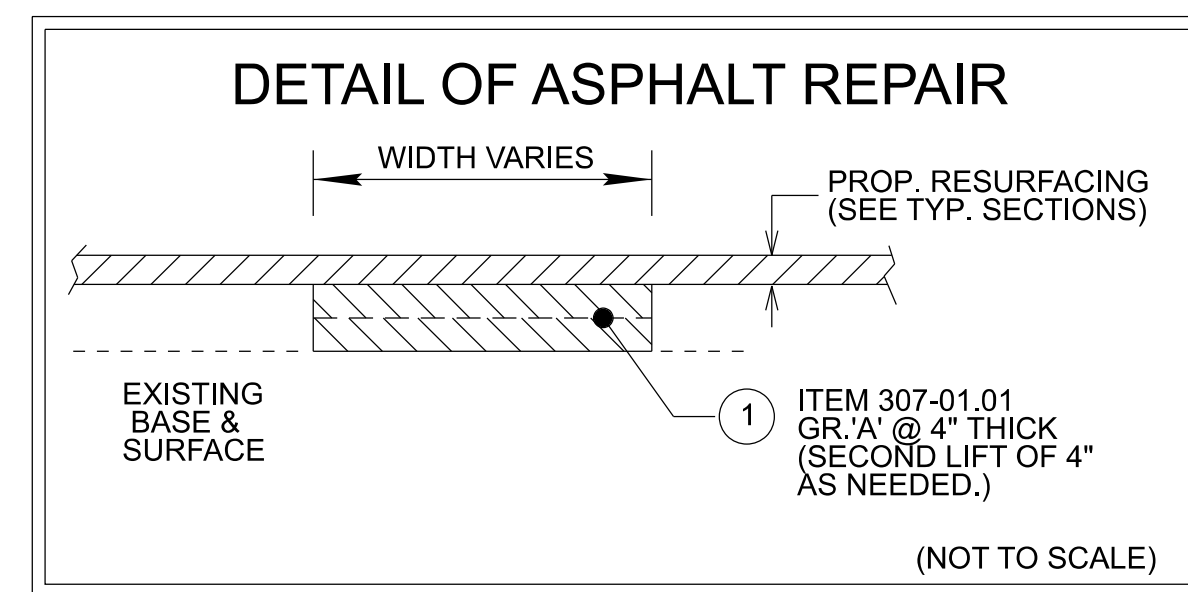
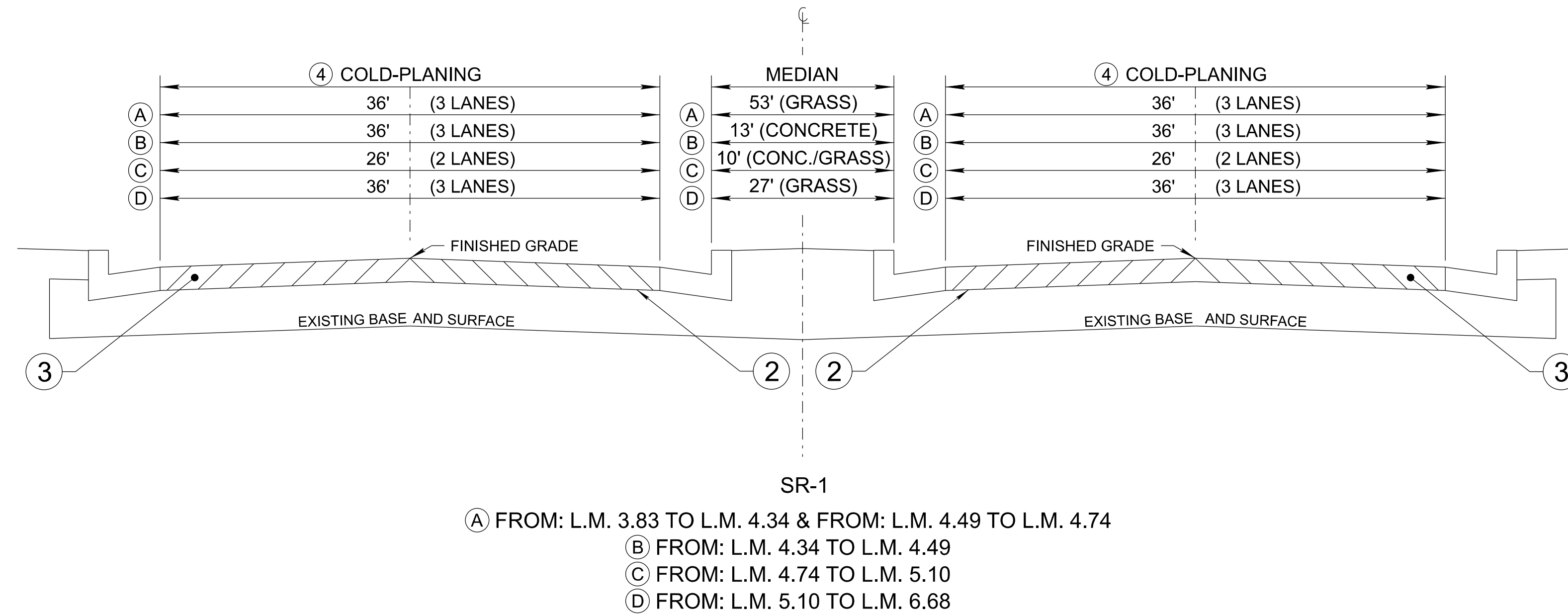
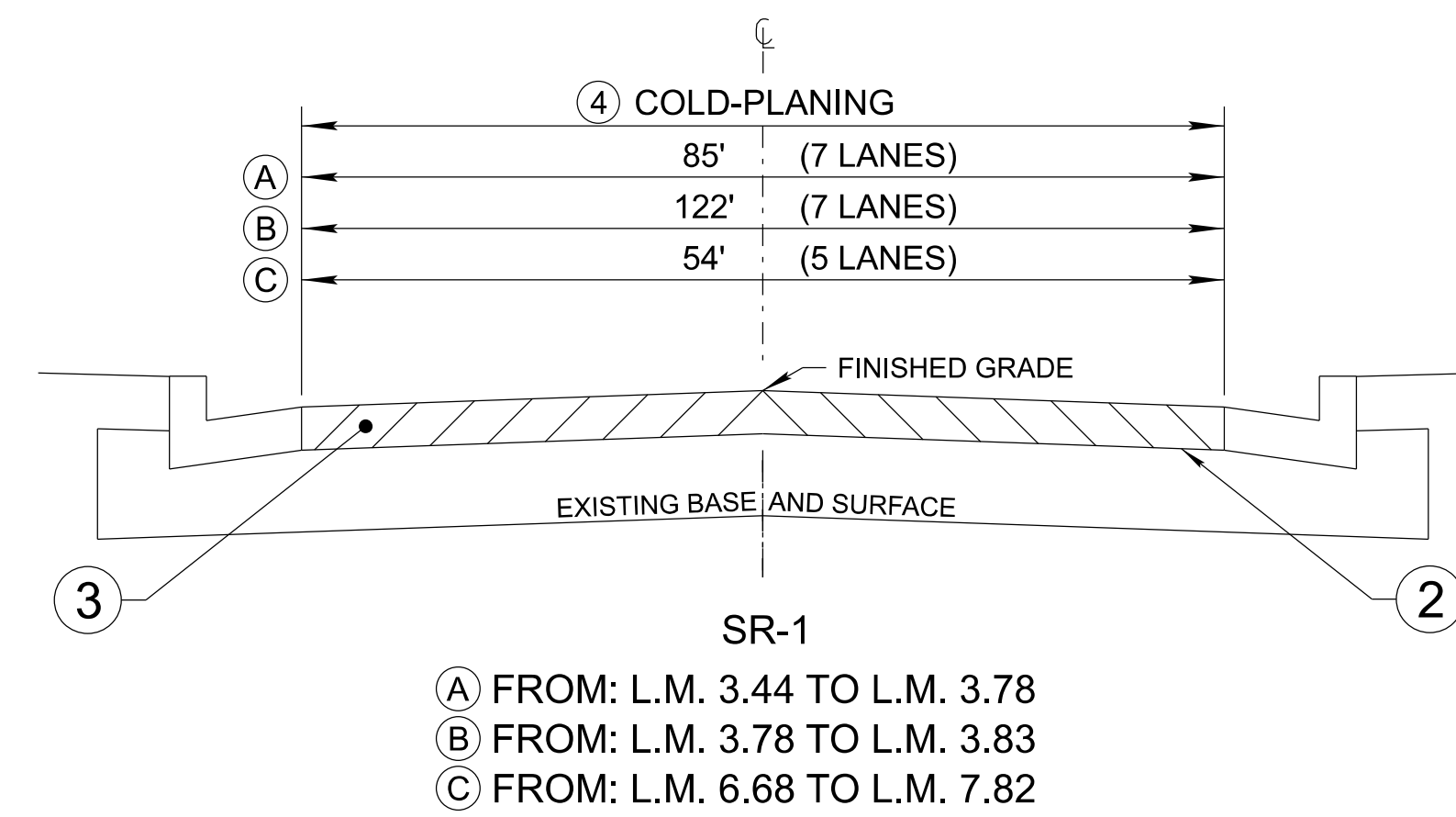
SEALED BY



STATE OF TENNESSEE
DEPARTMENT OF TRANSPORTATION

ESTIMATED
ROADWAY
QUANTITIES

TYPE	YEAR	PROJECT NO.	SHEET NO.
RESURF	2026	STP/HSIP-1(477)	2B



PROPOSED PAVEMENT SCHEDULE	
① BITUMINOUS COURSE (BLACK BASE) @ 4.00"± THICK (APPROX. 460.0 LBS./S.Y.) ITEM 307-01.01 ASPHALT CONCRETE MIX (PG64-22) (BPMB-HM) GRADING "A" (TO BE USED FOR ASPHALT REPAIR ONLY)	③ ASPHALTIC CONCRETE SURFACE (HM) @ 1.25"± THICK (APPROX. 132.50 LBS./S.Y.) ITEM 411-02.10 ACS MIX (PG70-22) GRADING "D"
② TRACKLESS TACK COAT ITEM 403-02.01 TRACKLESS TACK COAT (TC) SEE 403.05 FOR DETERMINING APPLICATION RATE IN THE FIELD	④ COLD PLANING @ 1.25"± THICK (APPROX. 131.25 LBS./S.Y.) ITEM 415-01.01 COLD PLANING BITUMINOUS PAVEMENT

SEALED BY

NOT TO SCALE

**STATE OF TENNESSEE
DEPARTMENT OF TRANSPORTATION**

TYPICAL
SECTIONS AND
PAVEMENT
SCHEDULE

2/26/2026 1:35:40 PM \\EGNVTEDRIVE\PROJECTS\HDR\INCOR\009\TR\TRANSPORTATION\MAY 2026\123947.00 - SR1 - SHELBY CO\2B ROADWAY TYPICAL SECTIONS.DGN

GENERAL NOTES

GRADING

- (1) ANY AREA THAT IS DISTURBED OUTSIDE LIMITS OF CONSTRUCTION DURING THE LIFE OF THIS PROJECT SHALL BE REPAIRED BY THE CONTRACTOR AT HIS EXPENSE.
- (3) THE CONTRACTOR SHALL NOT DISPOSE OF ANY MATERIAL EITHER ON OR OFF STATE-OWNED R.O.W. IN A REGULATORY FLOOD WAY AS DEFINED BY THE FEDERAL EMERGENCY MANAGEMENT AGENCY (FEMA) WITHOUT APPROVAL BY FEMA. ALL MATERIAL SHALL BE DISPOSED OF IN UPLAND (NON-WETLAND) AREAS AND ABOVE ORDINARY HIGH WATER OF ANY ADJACENT WATERCOURSE. THIS DOES NOT ELIMINATE THE NEED TO OBTAIN ANY OTHER LICENSES OR PERMITS THAT MAY BE REQUIRED BY ANY OTHER FEDERAL, STATE OR LOCAL AGENCY.

GUARDRAIL

- (1) THE CONTRACTOR SHALL NOT REMOVE ANY SECTIONS OF EXISTING GUARDRAIL TO REWORK SHOULDERS OR FLATTEN SLOPES UNTIL THE ENGINEER CONCURS IN THE NECESSITY OF REMOVAL DUE TO CONSTRUCTION REQUIREMENTS AND THE APPROPRIATE WARNING DEVICES ARE INSTALLED. THE PROPOSED GUARDRAIL, INCLUDING ANY ANCHOR SYSTEM, SHALL BE INSTALLED QUICKLY TO MINIMIZE TRAFFIC EXPOSURE TO ANY HAZARD. NO PAYMENT WILL BE MADE FOR A SECTION OF PROPOSED GUARDRAIL, INCLUDING ANCHORS, UNTIL IT IS COMPLETE IN PLACE.
- (3) IF ANY APPROACH END OF A SECTION OF GUARDRAIL OR BRIDGE RAIL MUST TEMPORARILY BE LEFT INCOMPLETE AND EXPOSED TO TRAFFIC, THE CONTRACTOR SHALL USE TWO (2) TEMPORARY BARRICADES OR DRUMS WITH TYPE "A" LIGHTS AND ROUNDED END ELEMENTS AS MINIMUM MEASURES TO PROTECT TRAFFIC FROM THE HAZARD OF AN EXPOSED END. ALL COST OF FURNISHING AND INSTALLING TEMPORARY BARRICADES OR DRUMS WITH TYPE "A" LIGHTS TO DELINEATE GUARDRAIL END AND A TEMPORARY ROUNDED END ELEMENT SHALL BE INCLUDED IN THE COST OF THE PROPOSED GUARDRAIL END TERMINAL.

MISCELLANEOUS

- (2) THE CONTRACTOR SHALL BE REQUIRED TO REMOVE AND RESET MAILBOXES AND POSTS WHERE AND AS DIRECTED BY THE ENGINEER. COST TO BE INCLUDED IN PRICE BID FOR OTHER CONSTRUCTION ITEMS.
- (3) NOTHING IN THE GENERAL NOTES OR SPECIAL PROVISIONS SHALL RELIEVE THE CONTRACTOR FROM HIS RESPONSIBILITIES TOWARD THE SAFETY AND CONVENIENCE OF THE GENERAL PUBLIC AND THE RESIDENTS ALONG THE PROPOSED CONSTRUCTION AREA.

PAVEMENT MARKINGS

TEMPORARY PAVEMENT MARKINGS ON INTERMEDIATE LAYERS

- (2) TEMPORARY PAVEMENT LINE MARKINGS ON INTERMEDIATE LAYERS OF PAVEMENT SHALL BE REFLECTIVE TAPE OR REFLECTORIZED PAINT INSTALLED TO PERMANENT STANDARDS AT THE END OF EACH DAY'S WORK. SHORT, UNMARKED SECTIONS SHALL NOT BE ALLOWED. THESE MARKINGS WILL BE MEASURED AND PAID FOR UNDER ITEM NO. 716-05.20, PAINTED PAVEMENT MARKING (6" LINE), L.M.

FINAL PAVEMENT MARKING

- (8) PERMANENT PAVEMENT LINE MARKINGS SHALL BE 6" ENHANCED FLATLINE THERMOPLASTIC INSTALLED TO PERMANENT STANDARDS AT THE END OF EACH DAY'S WORK. SHORT UNMARKED SECTIONS SHALL NOT BE ALLOWED. PAVEMENT MARKINGS WILL BE MEASURED AND PAID FOR UNDER ITEM NO. 716-12.02, ENHANCED FLATLINE THERMO PVMT MRKNG (6IN LINE), L.M. THE CONTRACTOR SHALL HAVE THE OPTION OF USING REFLECTORIZED PAINT INSTALLED TO PERMANENT STANDARDS AT THE END OF EACH DAY'S WORK AND THEN INSTALLING THE PERMANENT MARKINGS AFTER THE PAVING OPERATION IS COMPLETED. THE TEMPORARY MARKINGS FOR THE FINAL SURFACE WILL NOT BE MEASURED AND PAID FOR DIRECTLY, BUT THE COSTS ARE TO BE INCLUDED IN THE PRICE BID FOR THE PERMANENT MARKINGS.

PAVEMENT

PAVING

- (2) THE CONTRACTOR SHALL BE REQUIRED TO COLD PLANE AND PAVE IN THE DIRECTION OF TRAFFIC.

RESURFACING

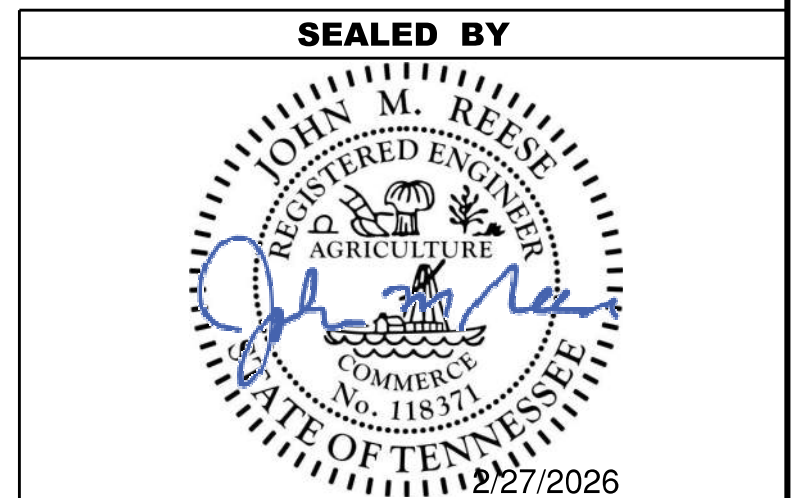
- (4) WHERE DIRECTED BY THE TDOT ENGINEER, THE CONTRACTOR SHALL BE REQUIRED TO SHAPE PUBLIC SIDE ROADS, BUSINESS ENTRANCES, AND PRIVATE DRIVES, AS WELL AS CLEANING OF EXISTING DRAINS BEFORE PLACING MATERIALS. ALL COSTS ARE TO BE INCLUDED IN THE PRICE BID FOR OTHER ITEMS OF CONSTRUCTION.
- (7) ON CURB AND GUTTER SECTIONS, PUBLIC ROAD INTERSECTIONS SHALL BE RESURFACED TO THE END OF RADIUS. A SATISFACTORY TRANSITION FROM THE NEW PAVEMENT TO THE EXISTING GRADE OF THE INTERSECTING PUBLIC ROAD SHALL BE PROVIDED.
- (8) ON URBAN TYPICAL SECTIONS, (CURB AND GUTTER), RESIDENTIAL DRIVEWAYS AND BUSINESS ENTRANCES SHALL HAVE A MINIMUM WIDTH OF MATERIAL NOT LESS THAN ONE FOOT USED IN THE TRANSITION TO FEATHER THE PAVEMENT EDGE.
- (9) IN ALL CASES, THE LENGTH OF THE PAVEMENT TRANSITION, THE THICKNESS AND WIDTH OF THE RESURFACING AND ANY ADDITIONAL PAVEMENT MATERIALS SHALL BE AS DIRECTED BY THE TDOT ENGINEER.

CONSTRUCTION WORK ZONE & TRAFFIC CONTROL

- (1) ADVANCED WARNING SIGNS SHALL NOT BE DISPLAYED MORE THAN FORTY-EIGHT (48) HOURS BEFORE PHYSICAL CONSTRUCTION BEGINS. SIGNS MAY BE ERECTED UP TO ONE WEEK BEFORE NEEDED, IF THE SIGN FACE IS FULLY COVERED.
- (2) IF THE CONTRACTOR MOVES OFF THE PROJECT, HE SHALL COVER OR REMOVE ALL UNNEEDED SIGNS AS DIRECTED BY THE ENGINEER. COSTS OF REMOVAL, COVERING, AND REINSTALLING SIGNS SHALL NOT BE MEASURED AND PAID FOR SEPARATELY, BUT ALL COSTS SHALL BE INCLUDED IN THE ORIGINAL UNIT PRICE BID FOR ITEM NO. 712-06, SIGNS (CONSTRUCTION) PER SQUARE FOOT.
- (3) A LONG TERM BUT SPORADIC USE WARNING SIGN, SUCH AS A FLAGGER SIGN, MAY REMAIN IN PLACE WHEN NOT REQUIRED PROVIDED THE SIGN FACE IS FULLY COVERED.
- (4) TRAFFIC CONTROL DEVICES SHALL NOT BE DISPLAYED OR ERECTED UNLESS RELATED CONDITIONS ARE PRESENT NECESSITATING WARNING.
- (5) USE OF BARRICADES, PORTABLE BARRIER RAILS, AND DRUMS SHALL BE LIMITED TO THE IMMEDIATE AREAS OF CONSTRUCTION WHERE A HAZARD IS PRESENT. THESE DEVICES SHALL NOT BE STORED ALONG THE ROADWAY WITHIN THIRTY (30) FEET OF THE EDGE OF THE TRAVELED WAY BEFORE OR AFTER USE UNLESS PROTECTED BY GUARDRAIL, BRIDGE RAIL, AND/OR BARRIERS INSTALLED FOR OTHER PURPOSES FOR ROADWAYS WITH CURRENT ADT'S LESS THAN 1500 AND DESIGN SPEED OF LESS THAN 60 MPH. THIS DISTANCE SHALL INCREASE TO FORTY-FIVE (45) FEET FOR ROADWAYS WITH CURRENT ADT'S OF 1500 OR GREATER AND DESIGN SPEED OF 60 MPH OR GREATER OR ON THE OUTSIDE OF A HORIZONTAL CURVE. THESE DEVICES SHALL BE REMOVED FROM THE CONSTRUCTION WORK ZONE WHEN THE ENGINEER DETERMINES THEY ARE NO LONGER NEEDED. WHERE THERE IS INSUFFICIENT RIGHT-OF-WAY TO PROVIDE FOR THIS REQUIRED SETBACK, THE CONTRACTOR SHALL DETERMINE THE ALTERNATE LOCATIONS AND REQUEST THE ENGINEER'S APPROVAL TO USE THEM.
- (6) THE CONTRACTOR SHALL NOT BE PERMITTED TO PARK ANY VEHICLES OR CONSTRUCTION EQUIPMENT DURING PERIODS OF INACTIVITY, WITHIN THIRTY (30) FEET OF THE EDGE OF PAVEMENT WHEN THE LANE IS OPEN TO TRAFFIC UNLESS PROTECTED BY GUARDRAIL, BRIDGE RAIL, AND/OR BARRIERS INSTALLED FOR OTHER PURPOSES FOR ROADWAYS WITH CURRENT ADT'S LESS THAN 1500 AND DESIGN SPEED OF LESS THAN 60 MPH. THIS DISTANCE SHALL BE INCREASED TO FORTY-FIVE (45) FEET FOR ROADWAYS WITH CURRENT ADT'S OF 1500 OR GREATER AND DESIGN SPEED OF 60 MPH OR GREATER OR ON THE OUTSIDE OF A HORIZONTAL CURVE. PRIVATELY OWNED VEHICLES SHALL NOT BE ALLOWED TO PARK WITHIN THIRTY (30) FEET OF AN OPEN TRAFFIC LANE AT ANY TIME UNLESS PROTECTED AS DESCRIBED ABOVE FOR ROADWAYS WITH CURRENT ADT'S LESS THAN 1500 AND DESIGN SPEED OF LESS THAN 60 MPH. THIS DISTANCE SHALL BE INCREASED TO FORTY-FIVE (45) FEET FOR ROADWAYS WITH CURRENT ADT'S OF 1500 OR GREATER AND DESIGN SPEED OF 60 MPH OR GREATER OR ON THE OUTSIDE OF A HORIZONTAL CURVE. WHERE THERE IS INSUFFICIENT RIGHT-OF-WAY TO PROVIDE FOR THIS REQUIRED SETBACK, THE CONTRACTOR SHALL DETERMINE THE ALTERNATE LOCATIONS AND REQUEST THE ENGINEER'S APPROVAL TO USE THEM.

- (7) ALL DETOUR AND CONSTRUCTION SIGNING SHALL BE IN STRICT ACCORDANCE WITH THE MANUAL ON UNIFORM TRAFFIC CONTROL DEVICES.
- (9) THE CONTRACTOR SHALL BE RESPONSIBLE FOR STAKING CONSTRUCTION SIGNS. THE COST OF THIS WORK SHALL BE INCLUDED IN ITEM NO. 712-06, SIGNS (CONSTRUCTION), S.F.

TYPE	YEAR	PROJECT NO.	SHEET NO.
RESURF	2026	STP/HSP-1(477)	2C



STATE OF TENNESSEE
DEPARTMENT OF TRANSPORTATION

GENERAL
NOTES

TYPE	YEAR	PROJECT NO.	SHEET NO.
RESURF	2026	STP/HSIP-1(477)	2D

SPECIAL NOTES

- (1) SURFACE IS TO BE CROWNED AS DIRECTED BY THE ENGINEER.
- (2) WHEN A PERFORMANCE GRADE (PG) ASPHALT MIX WITH PROPERTIES GREATER THAN THAT OF PG64-22 IS CALLED FOR ON RESURFACING PLANS AND IS THE ONLY ASPHALT GRADE ON THE PROJECT, THE CONTRACTOR HAS THE OPTION OF USING EITHER THE ASPHALT GRADE SHOWN IN THE PLANS OR AN ASPHALT GRADE EQUAL TO OR BETTER THAN PG64-22 FOR DRIVEWAYS AND BUSINESS ENTRANCES, UNLESS OTHERWISE DIRECTED BY THE ENGINEER. THE MATERIAL WILL BE PAID FOR AT THE SAME UNIT PRICE AS BID FOR THE ASPHALT OR ASPHALT MIX. THE MATERIAL TICKETS SHALL BE MARKED "FOR DRIVEWAYS AND BUSINESS ENTRANCES ONLY" AT THE POINT OF MANUFACTURE.
- (6) THE BITUMINOUS MATERIAL DESIGNATED TO RESTORE THE COLD PLANING AREA WILL BE PLACED WITHIN 96 HOURS OF THE COMMENCEMENT OF COLD PLANING OPERATIONS. COLD PLANING OPERATIONS WILL BE LIMITED TO AN AREA EQUAL TO THAT WHICH CAN BE COVERED WITH BITUMINOUS MATERIAL WITHIN THE TIME LIMITS SPECIFIED, EVEN IF COLD PLANING OPERATIONS MUST BE SUSPENDED UNTIL PAVING CATCHES UP.
- (8) FEATHER SURFACE MIX TO ENDS OF BRIDGES THAT ARE NOT TO BE PAVED.

STORM DRAIN STRUCTURES

- (1) TAPER AROUND ALL CATCH BASINS AS DIRECTED BY THE ENGINEER.

PAVEMENT MARKING

- (1) UNDER THE DIRECTION OF THE ENGINEER, THE CONTRACTOR MAY BE REQUIRED TO APPLY PAINTED MARKINGS IN THE PAVEMENT AREAS NOT SPECIFICALLY DETAILED IN THE PLANS. PAYMENT WILL BE MADE AT THE UNIT PRICE BID FOR ITEM NO. 716-05.20
- (2) UNDER THE DIRECTION OF THE ENGINEER, THE CONTRACTOR MAY BE REQUIRED TO APPLY PLASTIC MARKINGS IN THE PAVEMENT AREAS NOT SPECIFICALLY DETAILED IN THE PLANS. PAYMENT WILL BE MADE AT THE UNIT PRICE BID FOR ITEM NO. 716-12.02

SIGNS

- (1) IF THE CONTRACTOR ELECTS TO UTILIZE SIGN POST ANCHORS (STUBS) FOR SIGN ERECTION, THESE SHALL BE REMOVED WHEN THE SIGNS ARE REMOVED TO AVOID FUTURE DAMAGE TO MOWERS OR OTHER MACHINERY.

MISCELLANEOUS

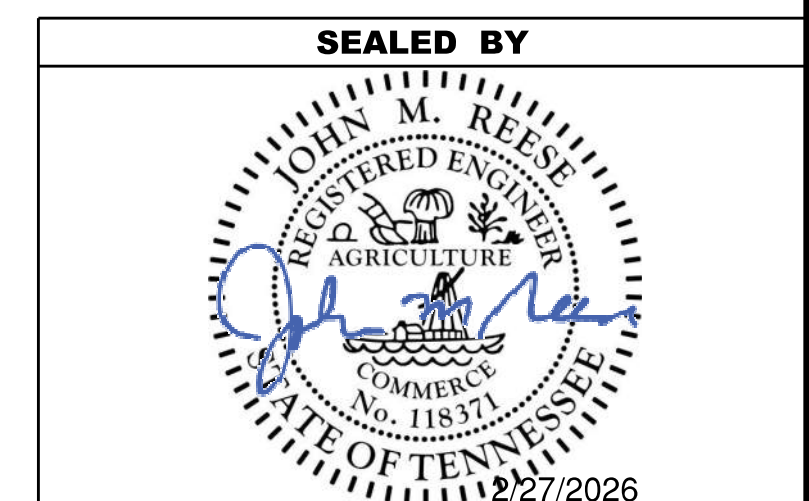
- (4) THE CONTRACTOR SHALL BE RESPONSIBLE FOR THE PROTECTION OF ANY SIGNS AND MAILBOXES DURING THE OPERATION. ANY SIGNS OR MAILBOXES DAMAGED AS A RESULT OF THE OPERATIONS SHALL BE REPLACED AT THE CONTRACTOR'S EXPENSE.

CONSTRUCTION WORK ZONE & TRAFFIC CONTROL

- (1) THE CONTRACTOR SHALL KEEP TWO TRAFFIC LANES, ONE IN EACH DIRECTION, OPEN TO TRAFFIC DURING NON-WORK HOURS OR NON-WORK DAYS.

JOINT SEALANTS

- (1) THE CONTACT SURFACE OF TRANSVERSE JOINTS AND LONGITUDINAL JOINTS IN THE SURFACE LIFT SHALL BE SEALED BY APPLYING JOINT SEALANT PRIOR TO PLACEMENT OF ADDITIONAL ASPHALT AGAINST THE PREVIOUSLY PLACED MATERIAL. MANUFACTURER'S RECOMMENDATIONS SHALL BE FOLLOWED IF THE MATERIAL NEEDS TO BE RE-HEATED, AND WHEN PLACING THE THIN, UNIFORM COAT.
- (3) PRIOR TO APPLICATION OF THE SEALANT, THE FACE OF THE JOINT SHALL BE THOROUGHLY DRY AND FREE FROM DUST OR ANY OTHER MATERIAL THAT WOULD PREVENT PROPER SEALING. ALL JOINTS SHALL BE SWEEPED OR BLOWN FREE OF LOOSE MATERIAL, DIRT, VEGETATION, AND OTHER DEBRIS BY MEANS OF COMPRESSED AIR OR A POWER SWEEPER.
- (4) TRUCK AND VEHICLE TRAFFIC SHALL NOT DRIVE ACROSS A SEALED JOINT UNTIL IT HAS DRIED SUFFICIENT TO PREVENT DAMAGE FROM TRACKING.



**STATE OF TENNESSEE
DEPARTMENT OF TRANSPORTATION**

SPECIAL
NOTES

ENVIRONMENTAL NOTES

ENVIRONMENTAL GENERAL NOTES

NATURAL RESOURCES

- (4) THE OPERATION OF EQUIPMENT IN WATERS OF THE STATE/U.S., INCLUDING WETLANDS AND EPHEMERAL, INTERMITTENT, AND PERENNIAL STREAMS, IS NOT ALLOWED.
- (9) THE CONTRACTOR SHALL TAKE APPROPRIATE STEPS PRIOR TO ANY CONSTRUCTION AND MAINTENANCE ACTIVITIES TO ENSURE THAT ENVIRONMENTAL FEATURES (E.G., STREAMS, WETLANDS, SPRINGS, ETC.) ARE NOT IMPACTED BEYOND PERMITTED LOCATIONS. IF THE CONTRACTOR OR TDOT INSPECTOR IS UNSURE OF THE IDENTITY OF AN ENVIRONMENTAL FEATURE, THE INSPECTOR SHALL CONTACT THE TDOT REGION ENVIRONMENTAL TECH GROUP IMMEDIATELY.

SPECIES

- (11) SHOULD CLIFF SWALLOW OR BARN SWALLOW NESTS, EGGS, OR BIRDS (YOUNG AND ADULTS) BE PRESENT, THE CONTRACTOR SHALL CONTACT THE REGIONAL ECOLOGY OFFICE TO DETERMINE IF SEASONAL RESTRICTIONS WILL BE NECESSARY. GENERALLY, BIRDS, NESTS, AND EGGS MAY NOT BE DISTURBED BETWEEN APRIL 15 AND JULY 31. FROM AUGUST 1 TO APRIL 14, NESTS CAN BE REMOVED OR DESTROYED SO LONG AS BIRDS OR EGGS ARE NOT PRESENT, AND MEASURES IMPLEMENTED TO PREVENT FUTURE NEST BUILDING AT THE SITE (I.E., CLOSING OFF AREA USING NETTING).
- (12) IF THE REMOVAL OF ANY TREES WITH A DIAMETER AT BREAST HEIGHT (DBH) GREATER THAN 3 INCHES IS DEEMED NECESSARY THE TDOT SUPERVISOR SHALL CONTACT THE TDOT ENVIRONMENTAL DIVISION, ECOLOGY SECTION IMMEDIATELY.

PERMITS, PLANS & RECORDS

- (15) IF A CHANGE IN PROJECT SCOPE OCCURS DURING CONSTRUCTION, INCLUDING VALUE ENGINEERING, THE TDOT PERMIT SECTION SHALL BE CONTACTED TO DETERMINE WHETHER PERMIT REVISIONS ARE NEEDED. THE PROJECT MANAGER SHALL BE CONTACTED TO DETERMINE IF ANY PLAN REVISIONS ARE NEEDED.

ENVIRONMENTAL

- (20) EXCEPT AS OTHERWISE SPECIFIED, THERE ARE NO KNOWN SPECIAL ENVIRONMENTAL FACTORS PRESENT ON THIS PROJECT THAT INDICATE A NEED FOR SEASONAL LIMITATIONS ON THE CLEARING, GRUBBING, EXCAVATION, GRADING, CUTTING OR FILLING OPERATIONS OR ON THE TOTAL AREA OF EXPOSED SOIL.

ENVIRONMENTAL SPECIAL NOTES

ENVIRONMENTAL

- (1) STAFF FROM THE TDOT ENVIRONMENTAL DIVISION COMPLIANCE AND FIELD SERVICES OFFICE SHALL BE INVITED TO ALL PRE-CONSTRUCTION MEETINGS.

ECOLOGY

- (2) STAFF FROM THE TDOT ENVIRONMENTAL DIVISION OR A DESIGNEE SHALL ADVISE THE CONTRACTOR DURING THE PRECONSTRUCTION MEETING WHEN ENVIRONMENTAL DIVISION PERSONNEL OR A DESIGNATED CONSULTANT WILL NEED TO BE ONSITE FOR WORK BEING DONE WHICH COULD AFFECT WATERS OF THE STATE/U.S. OR SPECIES.
- (3) STAFF FROM THE TDOT ENVIRONMENTAL DIVISION OR A DESIGNEE SHALL ATTEND THE PRE-CONSTRUCTION MEETING FOR ALL PROJECTS WHICH HAVE THREATENED OR ENDANGERED SPECIES OR CRITICAL HABITAT PROXIMAL TO SCHEDULED WORK. THIS WILL PROVIDE THE OPPORTUNITY TO ENSURE THAT PERSONNEL INCLUDING THE CONTRACTOR'S PERSONNEL AND SUBCONTRACTORS ARE MADE AWARE OF THE NECESSARY PRECAUTIONS THAT MUST BE FOLLOWED.
- (4) ALL PROJECTS WITH LEGALLY PROTECTED SPECIES OR CRITICAL HABITAT IDENTIFIED SHALL HAVE MEASURES IN PLACE TO CONTAIN CONCRETE DUST, CEMENT DUST AND ALL OTHER MATERIALS. THESE MATERIALS ARE NOT ALLOWED TO ENTER WATERS OF THE STATE/U.S.

PROJECT COMMITMENTS

- (5) SEE PROJECT COMMITMENTS, SHEET 1B, FOR DETAILS RELATING TO SPECIAL ENVIRONMENTAL COMMITMENTS REQUIRED BY THIS PROJECT.

SCOPE OF WORK

- (6) THIS PROJECT INCLUDES MILL, 411D, SNOWPLOWABLE RAISED PAVEMENT MARKERS, CATCHBASIN ADJUSTMENT, PAVEMENT MARKINGS AND GUARDRAIL.

EROSION PREVENTION AND SEDIMENT CONTROL GENERAL NOTES

DISTURBED AREA

- (1) IF DISTURBED ACREAGE IS EQUAL TO ONE ACRE OR MORE, PLEASE CONTACT TDOT ENVIRONMENTAL DIVISION, PERMITS SECTION AS SOON AS POSSIBLE BECAUSE AN NPDES PERMIT WILL BE REQUIRED.

SEDIMENT CONTROL

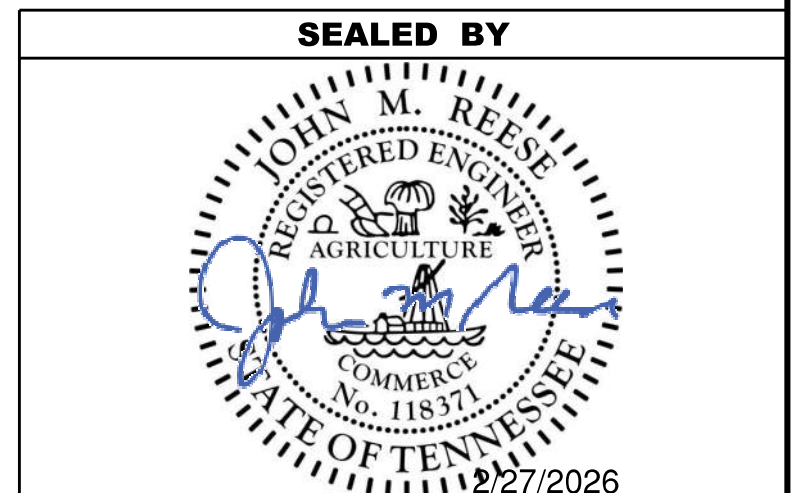
- (6) EPSC MEASURES SHALL BE INSTALLED AND FUNCTIONAL PRIOR TO ANY EARTH MOVING OPERATIONS AND SHALL BE MAINTAINED THROUGHOUT THE CONSTRUCTION PERIOD EXCEPT AS SUCH WORK MAY BE NECESSARY TO INSTALL EPSC MEASURES.
- (8) THE CONTRACTOR SHALL ESTABLISH AND MAINTAIN A PROACTIVE METHOD TO PREVENT THE OFFSITE MIGRATION OR DEPOSIT OF SEDIMENT OFF THE PROJECT LIMITS (E.G. R.O.W., EASEMENTS, ETC.), INTO WATERS OF THE STATE/U.S., OR ONTO ROADWAYS USED BY THE GENERAL PUBLIC. IF SEDIMENT ESCAPES THE CONSTRUCTION SITE, OFFSITE ACCUMULATIONS OF SEDIMENT THAT HAVE NOT REACHED A STREAM MUST BE REMOVED AT A FREQUENCY SUFFICIENT TO MINIMIZE OFFSITE IMPACTS (E.G., FUGITIVE SEDIMENT THAT HAS ESCAPED THE CONSTRUCTION SITE AND HAS COLLECTED IN A STREET MUST BE REMOVED SO THAT IT IS NOT SUBSEQUENTLY WASHED INTO STORM SEWERS AND STREAMS BY THE NEXT RAIN AND/OR SO THAT IT DOES NOT POSE A SAFETY HAZARD TO USERS OF PUBLIC STREETS). ARRANGEMENTS CONCERNING REMOVAL OF SEDIMENT ON ADJOINING PROPERTY MUST BE NEGOTIATED WITH THE ADJOINING PROPERTY OWNER BEFORE REMOVAL OF SEDIMENT.

GOOD HOUSEKEEPING MEASURES & WASTE DISPOSAL

- (29) THE CONTRACTOR SHALL ESTABLISH AND MAINTAIN A PROACTIVE METHOD TO PREVENT LITTER AND CONSTRUCTION WASTES FROM ENTERING WATERS OF THE STATE/U.S. THESE MATERIALS SHALL BE REMOVED FROM STORMWATER EXPOSURE PRIOR TO ANTICIPATED STORM EVENTS OR BEFORE BEING CARRIED OFFSITE BY WIND, OR OTHERWISE PREVENTED FROM BECOMING A POLLUTANT SOURCE FOR STORMWATER DISCHARGES. AFTER USE, MATERIALS USED FOR EPSC SHALL BE REMOVED FROM THE SITE.
- (30) THE CONTRACTOR SHALL TAKE APPROPRIATE STEPS TO ENSURE THAT PETROLEUM PRODUCTS OR OTHER CHEMICAL POLLUTANTS ARE PREVENTED FROM ENTERING WATERS OF THE STATE/U.S. ALL EQUIPMENT REFUELING, SERVICING, AND STAGING AREAS SHALL COMPLY WITH ALL LOCAL, STATE, AND FEDERAL LAWS, RULES, REGULATIONS, AND ORDINANCES, INCLUDING THOSE OF THE NATIONAL FIRE PROTECTION ASSOCIATION. APPROPRIATE CONTAINMENT MEASURES FOR THESE AREAS SHALL BE USED.
- (31) CONTRACTORS SHALL PROVIDE DESIGNATED TRUCK WASHOUT AREAS ON THE SITE. THESE AREAS MUST BE SELF CONTAINED, NOT CONNECTED TO ANY STORMWATER OUTLET OF THE SITE, AND PROPERLY SIGNED. WASH DOWN OR WASTE DISCHARGE OF CONCRETE TRUCKS SHALL NOT BE PERMITTED ONSITE UNLESS PROPER SETTLEMENT AREAS HAVE BEEN PROVIDED IN ACCORDANCE WITH BOTH STATE AND FEDERAL REGULATIONS.
- (32) WHEEL WASH WATER SHALL BE COLLECTED AND ALLOWED TO SETTLE OUT SUSPENDED SOLIDS PRIOR TO DISCHARGE. WHEEL WASH WATER SHALL NOT BE DISCHARGED DIRECTLY INTO ANY STORMWATER SYSTEM OR STORMWATER TREATMENT SYSTEM.
- (33) IF PORTABLE SANITARY FACILITIES ARE PROVIDED ON CONSTRUCTION SITES, SANITARY WASTE SHALL BE COLLECTED FROM THE PORTABLE UNITS IN A TIMELY MANNER BY A LICENSED WASTE MANAGEMENT CONTRACTOR OR AS REQUIRED BY ANY REGULATIONS. THE CONTRACTOR SHALL OBTAIN ANY AND ALL NECESSARY PERMITS TO DISPOSE OF SANITARY WASTE.

- (34) ONLY CONSTRUCTION PRODUCTS NEEDED SHALL BE STORED ONSITE BY THE CONTRACTOR. THE CONTRACTOR SHALL STORE ALL MATERIALS UNDER COVER AND IN APPROPRIATE CONTAINERS. PRODUCTS MUST BE STORED IN ORIGINAL CONTAINERS AND LABELED. MATERIAL MIXING SHALL BE CONDUCTED IN ACCORDANCE WITH THE MANUFACTURER'S RECOMMENDATIONS. THE CONTRACTOR'S RESPONSIBLE PARTY SHALL INSPECT MATERIALS STORAGE AREAS REGULARLY TO ENSURE PROPER USE AND DISPOSAL.
- (35) WHEN POSSIBLE, ALL PRODUCTS SHALL BE USED COMPLETELY BEFORE PROPERLY DISPOSING OF THE CONTAINER OFFSITE. THE MANUFACTURER'S DIRECTIONS FOR DISPOSAL OF MATERIALS AND CONTAINERS SHALL BE FOLLOWED.
- (36) ALL PAINT CONTAINERS SHALL BE TIGHTLY SEALED AND STORED WHEN NOT REQUIRED FOR USE. EXCESS PAINT SHALL BE DISPOSED OF ACCORDING TO THE MANUFACTURER'S INSTRUCTIONS AND APPLICABLE STATE AND LOCAL REGULATIONS.
- (37) ALL HAZARDOUS WASTE MATERIALS SHALL BE DISPOSED OF IN A MANNER WHICH IS COMPLIANT WITH LOCAL OR STATE REGULATIONS. SITE PERSONNEL SHALL BE INSTRUCTED IN THESE PRACTICES, AND THE INDIVIDUAL DESIGNATED AS THE CONTRACTOR'S RESPONSIBLE PARTY SHALL BE RESPONSIBLE FOR SEEING THAT THESE PRACTICES ARE FOLLOWED. THE CONTRACTOR SHALL OBTAIN ANY AND ALL NECESSARY PERMITS TO DISPOSE OF HAZARDOUS MATERIAL.
- (38) OPEN BURNING IS PROHIBITED UNLESS IT IS SPECIFICALLY ALLOWED BY LAW. IF ALLOWED, NATURAL VEGETATION, TREES, AND UNTREATED LUMBER SHALL BE THE ONLY MATERIALS THAT CAN BE OPEN BURNED. THE CONTRACTOR SHALL BE RESPONSIBLE FOR OBTAINING ALL APPLICABLE STATE AND LOCAL PERMITS PRIOR TO ANY BURNING.
- (39) DISPOSAL OF ONSITE VEGETATION AND TREES BY CHIPPING THEM INTO MULCH IS PREFERABLE TO OPEN BURNING. THIS MULCH MAY BE USED AS AN ONSITE SOIL STABILIZATION MEASURE WHERE APPROPRIATE.
- (40) WASTE MATERIAL (EARTH, ROCK, ASPHALT, CONCRETE, ETC.) NOT REQUIRED FOR THE CONSTRUCTION OF THE PROJECT WILL BE DISPOSED OF BY THE CONTRACTOR. IMPACTS TO WATERS OF THE STATE/U.S. SHALL BE AVOIDED IF POSSIBLE. IF UNAVOIDABLE, THE CONTRACTOR WILL OBTAIN ANY AND ALL NECESSARY PERMITS INCLUDING, BUT NOT LIMITED TO NPDES, AQUATIC RESOURCES ALTERATION PERMIT(S), CORPS OF ENGINEERS SECTION 404 PERMITS, AND TVA SECTION 26A PERMITS TO DISPOSE OF WASTE MATERIALS.

TYPE	YEAR	PROJECT NO.	SHEET NO.
RESURF	2026	STP/HISP-1(477)	2E



STATE OF TENNESSEE
DEPARTMENT OF TRANSPORTATION

ENVIRONMENTAL
NOTES

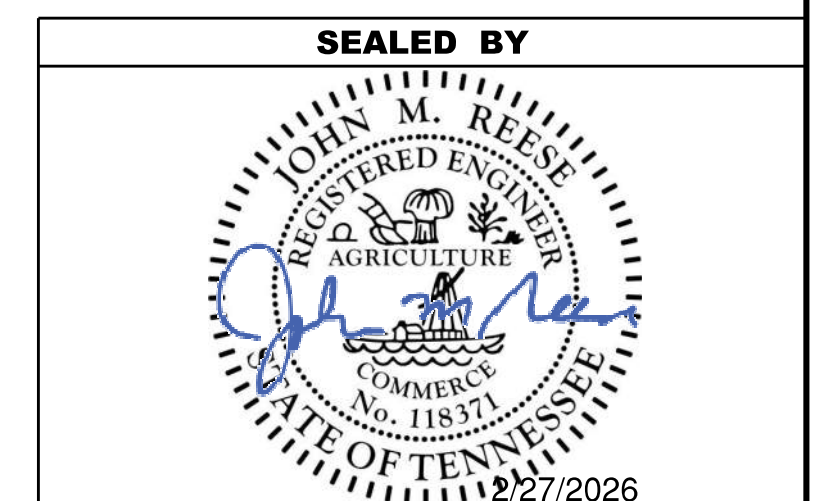
ENVIRONMENTAL NOTES

EROSION PREVENTION AND SEDIMENT CONTROL GENERAL NOTES

SPILL PREVENTION, MANAGEMENT & NOTIFICATION

- (44) ALL ONSITE VEHICLES SHALL BE MONITORED FOR LEAKS AND RECEIVE REGULAR PREVENTIVE MAINTENANCE TO REDUCE THE CHANCE OF LEAKAGE AND SPILLS.
- (45) FOR ALL HAZARDOUS MATERIALS STORED ONSITE, THE MANUFACTURER'S RECOMMENDED METHODS FOR SPILL CLEAN UP SHALL BE CLEARLY POSTED. SITE PERSONNEL SHALL BE MADE AWARE OF THE PROCEDURES AND THE LOCATIONS OF THE INFORMATION AND CLEANUP SUPPLIES.
- (46) APPROPRIATE CLEANUP MATERIALS AND EQUIPMENT SHALL BE MAINTAINED BY THE CONTRACTOR IN THE MATERIALS STORAGE AREA ONSITE AND UNDER COVER. SPILL RESPONSE EQUIPMENT SHALL BE INSPECTED AND MAINTAINED BY THE CONTRACTOR AS NECESSARY TO REPLACE ANY MATERIALS USED IN SPILL RESPONSE ACTIVITIES.
- (47) ALL SPILLS SHALL BE CLEANED IMMEDIATELY AFTER DISCOVERY AND THE MATERIALS DISPOSED OF PROPERLY. THE SPILL AREA SHALL BE KEPT WELL VENTILATED AND PERSONNEL WILL WEAR APPROPRIATE PROTECTIVE CLOTHING TO PREVENT INJURY FROM CONTACT WITH A HAZARDOUS SUBSTANCE.
- (48) THE CONTRACTOR'S RESPONSIBLE PARTY SHALL BE THE SPILL PREVENTION AND CLEANUP COORDINATOR. THE CONTRACTOR IS RESPONSIBLE FOR ENSURING THAT THE SITE SUPERINTENDENT HAS HAD APPROPRIATE TRAINING FOR HAZARDOUS MATERIALS HANDLING, SPILL MANAGEMENT, AND CLEANUP.
- (49) IF AN OIL SHEEN IS OBSERVED ON SURFACE WATER (E.G. SETTLING PONDS, DETENTION PONDS, SWALES), ACTION SHALL BE TAKEN IMMEDIATELY TO REMOVE THE MATERIAL CAUSING THE SHEEN. THE CONTRACTOR SHALL USE APPROPRIATE MATERIALS TO CONTAIN AND ABSORB THE SPILL. THE SOURCE OF THE OIL SHEEN WILL ALSO BE IDENTIFIED AND REMOVED OR REPAIRED AS NECESSARY TO PREVENT FURTHER RELEASES.
- (50) FERTILIZERS SHALL BE APPLIED ONLY IN THE AMOUNTS SPECIFIED. ONCE APPLIED, FERTILIZERS SHALL BE WORKED INTO THE SOIL TO LIMIT THE EXPOSURE TO STORMWATER.
- (51) IF A SPILL OCCURS THE CONTRACTOR'S RESPONSIBLE PARTY SHALL BE RESPONSIBLE FOR COMPLETING THE SPILL REPORTING FORM AND FOR REPORTING THE SPILL TO THE TDOT PROJECT RESPONSIBLE PARTY. ALL SPILLS MUST BE REPORTED TO THE APPROPRIATE AGENCY, AND MEASURES SHALL BE TAKEN IMMEDIATELY TO PREVENT THE POLLUTION OF WATERS OF THE STATE/U.S., INCLUDING GROUNDWATER, SHOULD A SPILL OCCUR.
- (52) WHERE A RELEASE CONTAINING A HAZARDOUS SUBSTANCE IN AN AMOUNT EQUAL TO OR IN EXCESS OF A REPORTABLE QUANTITY ESTABLISHED UNDER EITHER 40 CFR 117 OR 40 CFR 302 OCCURS DURING A 24 HOUR PERIOD, SEE THE LATEST TENNESSEE GENERAL PERMIT NO. TNR100000 STORMWATER DISCHARGES FROM CONSTRUCTION ACTIVITIES SECTION 5.1 FOR REPORTING REQUIREMENTS.
- (53) CONTRACTOR'S BULK FUEL AND PETROLEUM PRODUCTS STORED ONSITE OR ADJACENT TO THE R.O.W. IN ABOVE GROUND STORAGE CONTAINERS WITH A COMBINED CAPACITY OF 1320 GALLONS OR MORE SHALL HAVE SECONDARY CONTAINMENT. THE CONTRACTOR SHALL BE RESPONSIBLE FOR PREPARING A SPILL PREVENTION CONTROL AND COUNTERMEASURE (SPCC) PLAN FOR THE BULK STORAGE AND BE SOLELY RESPONSIBLE FOR OBTAINING ANY NECESSARY LOCAL, STATE, AND FEDERAL PERMITS. THE SPCC PLAN AND/OR PERMITS SHALL BE KEPT ONSITE AND A COPY PROVIDED TO THE TDOT PROJECT RESPONSIBLE PARTY PRIOR TO STORING 1320 GALLONS ON SITE.

TYPE	YEAR	PROJECT NO.	SHEET NO.
RESURF	2026	STP/HSIP-1(477)	2E1



**STATE OF TENNESSEE
DEPARTMENT OF TRANSPORTATION**

ENVIRONMENTAL
NOTES

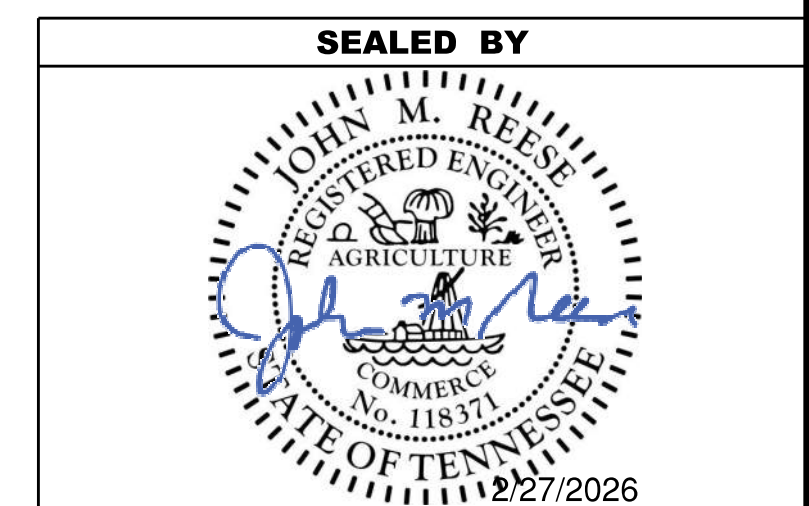
2/26/2026 2:42:23 PM Z:\HDIR\COR\0009\TR\TRANSPORTATION\JUNE 2026\123947.00 - SR1 - SHELBY CO\2E1_ENVIRONMENTAL NOTES.DGN

TYPE	YEAR	PROJECT NO.	SHEET NO.
RESURF	2026	STP/HSIP-1(477)	2F

CATCH BASINS						
LOG MILE	DIR	LEFT	MEDIAN LEFT	MEDIAN RIGHT	RIGHT	GRAY IRON CASTINGS (CATCH BASIN) 611-03.04
3.449	EB	X				250
3.459	EB	X				250
3.507	EB	X				250
3.51	EB				X	250
3.521	EB	X				250
3.681	EB				X	250
3.689	EB	X				250
3.705	EB				X	250
3.71	EB	X				250
3.903	EB				X	250
3.904	EB			X		250
3.926	EB		X			250
3.935	EB	X				250
3.979	EB				X	250
3.983	EB	X				250
4.316	EB				X	250
4.317	EB				X	250
4.318	EB			X		250
4.325	EB				X	250
4.326	EB	X				250
4.326	EB				X	250
4.327	EB		X			250
4.358	EB				X	250
4.358	EB	X				250
4.468	EB				X	250
4.471	EB	X				250
4.702	EB		X			250
4.704	EB	X				250
4.744	EB			X		250
4.745	EB		X			250
4.748	EB				X	250
4.818	EB				X	250
4.821	EB	X				250
4.926	EB				X	250
4.93	EB	X				250
5.016	EB				X	250
5.017	EB	X				250
5.175	EB				X	250
5.177	EB	X				250
5.199	EB				X	250
5.299	EB				X	250
5.302	EB	X				250
5.401	EB				X	250
5.403	EB	X				250
5.625	EB				X	250
5.63	EB	X				250
5.742	EB	X				250
5.742	EB				X	250
5.809	EB				X	250
5.817	EB	X				250
TOTAL						SEE CONT.

CATCH BASINS - CONT.						
LOG MILE	DIR	LEFT	MEDIAN LEFT	MEDIAN RIGHT	RIGHT	GRAY IRON CASTINGS (CATCH BASIN) 611-03.04
5.932	EB				X	250
5.935	EB	X				250
6.018	EB				X	250
6.073	EB	X				250
6.111	EB				X	250
6.123	EB	X				250
6.4	EB				X	250
6.401	EB	X				250
6.434	EB	X				250
6.448	EB				X	250
6.604	EB	X				250
6.61	EB				X	250
6.793	EB				X	250
6.779	EB	X				250
6.82	EB	X				250
6.938	EB	X				250
6.94	EB				X	250
7.164	EB				X	250
7.166	EB	X				250
7.227	EB				X	250
7.239	EB	X				250
7.59	EB				X	250
7.591	EB	X				250
7.696	EB	X				250
7.697	EB				X	250
7.8	EB	X				250
7.806	EB				X	250
TOTAL						19250

2/26/2026 1:39:38 PM Z:\HDCOR\0009\TR\TRANSPORTATION\JUNE 2026\123947.00 - SR1 - SHELBY CO\2F_TABULATED QUANTITIES.DGN



**STATE OF TENNESSEE
DEPARTMENT OF TRANSPORTATION**

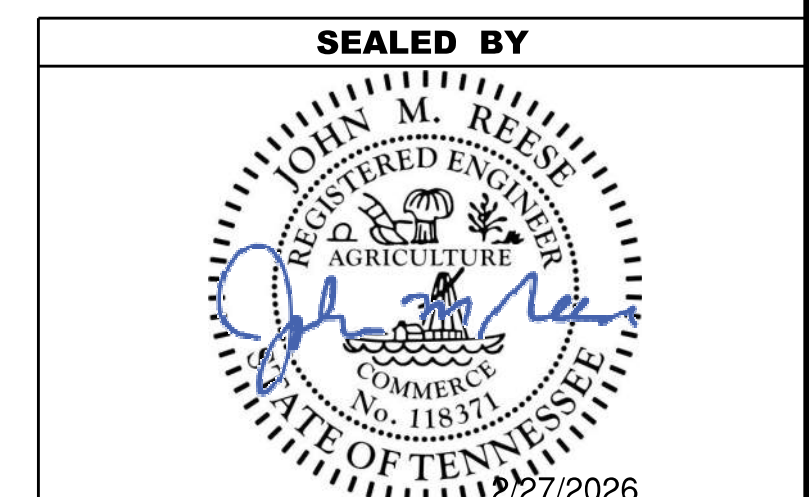
TABULATED
QUANTITIES

TYPE	YEAR	PROJECT NO.	SHEET NO.
RESURF	2026	STP/HISIP-1(477)	2F1

TRAFFIC CONTROL SIGN TABULATION (RESURFACING)						
M.U.T.C.D. SIGN NO.	LEGEND \ DESCRIPTION	SIZE IN INCHES		S.F.	TOTAL NUMBER REQUIRED	ITEM NO. 712-06 S.F.
		L	x W			
G20-1	ROAD WORK NEXT 7 MILES	48"	x 24"	8	2	16
G20-2	END ROAD WORK	48"	x 24"	8	65	520
W4-2L	LEFT LANE ENDS SYMBOL	48"	x 48"	16	2	32
W4-2R	RIGHT LANE ENDS SYMBOL	48"	x 48"	16	2	32
W8-11	UNEVEN LANES	48"	x 48"	16	40	640
W8-15	GROOVED PAVEMENT	48"	x 48"	16	10	160
W8-15P	MOTORCYCLE PLAQUE	30"	x 24"	5	10	50
W20-1	ROAD WORK 1 MILE	48"	x 48"	16	2	32
W20-1	ROAD WORK 1/2 MILE	48"	x 48"	16	2	32
W20-1	ROAD WORK 1000 FT	48"	x 48"	16	2	32
W20-1	ROAD WORK AHEAD	48"	x 48"	16	63	1008
W20-5	CENTER LANE CLOSED 1000 FT	48"	x 48"	16	2	32
W20-5	CENTER LANE CLOSED 500 FT	48"	x 48"	16	2	32
W20-5L	LEFT LANE CLOSED 1/2 MILE	48"	x 48"	16	2	32
W20-5L	LEFT LANE CLOSED 1500 FT	48"	x 48"	16	2	32
W20-5L	LEFT LANE CLOSED 1000 FT	48"	x 48"	16	2	32
W20-5R	RIGHT LANE CLOSED 1/2 MILE	48"	x 48"	16	2	32
W20-5R	RIGHT LANE CLOSED 1500 FT	48"	x 48"	16	2	32
W20-5R	RIGHT LANE CLOSED 1000 FT	48"	x 48"	16	2	32
THIS CONSTRUCTION SIGNING IS TO BE AS A MINIMUM. OTHER SIGNS AS DIRECTED BY THE ENGINEER MAY BE REQUIRED DURING DIFFERENT PHASES.					TOTAL	2810

PROPOSED GUARDRAIL (RESURFACING)				
SIDE	LOG MILE	GUARDRAIL		TERMINAL ANCHORS
		GUARDRAIL GR TRANSITION 27 IN TO 31 IN 705-02.10 (EACH)	GUARDRAIL REMOVED 706-01 (L.F.)	TYPE 21 MASH TL2 (21.875') 705-06.30 (EACH)
LT				
RT				
	X	4.357	1	25
TOTALS			1	25

BRIDGE NOTES				
BRIDGE NUMBER	LOCATION LOG MILE	BRIDGE LENGTH	UNDERPASS VERTICAL CLEARANCE	BRIDGE DECK NOTES
79100400035	4.38	259'-3 3/8"	N/A	PROVIDE DECK REPAIR ITEM- SEAL WITH TYPE 1 THIN EPOXY OVERLAY (BRIDGE SHEETS INCLUDED). REPLACE BRIDGE JOINTS (BRIDGE SHEETS INCLUDED).
79SR0830011	4.89	N/A	EBL: 14'-5" WBL: 14'-2"	TO MAINTAIN MINIMUM VERTICAL CLEARANCE OF THE UNDERPASS. COLD PLANE TO MATCH THE THICKNESS OF TREATMENT.
79SR0830013	4.94	N/A	EBL: 15'-0" WBL: 14'-42"	TO MAINTAIN MINIMUM VERTICAL CLEARANCE OF THE UNDERPASS. COLD PLANE TO MATCH THE THICKNESS OF TREATMENT.
79SR0010043	4.97	N/A	EBL: 16'-2" WBL: 15'-10"	TO MAINTAIN MINIMUM VERTICAL CLEARANCE OF THE UNDERPASS. COLD PLANE TO MATCH THE THICKNESS OF TREATMENT.
79SR0830017	6.06	40'	N/A	PAVE WITH PLANS MIX/TREATMENT TYPE.
79SR0010009	7.31	1157'-11 3/4"	N/A	LEAVE AS IS.



STATE OF TENNESSEE
DEPARTMENT OF TRANSPORTATION

TABULATED
QUANTITIES

TYPE	YEAR	PROJECT NO.	SHEET NO.
RESURF	2026	STP/HISP-1(477)	3

UTILITY NOTES

- (2) UNLESS OTHERWISE NOTED, ALL UTILITY ADJUSTMENTS WILL BE PERFORMED BY THE UTILITY OR ITS REPRESENTATIVE. THE CONTRACTOR AND UTILITY OWNERS WILL BE REQUIRED TO COOPERATE WITH EACH OTHER IN ORDER TO EXPEDITE THE WORK REQUIRED BY THIS CONTRACT. ON CONTRACTS WHERE CONSTRUCTION STAKES, LINES, AND GRADES ARE CONTRACT ITEMS, THE CONTRACTOR WILL BE REQUIRED TO PROVIDE RIGHT-OF-WAY OR SLOPE STAKES, DITCH OR STREAM BED GRADES, OR OTHER ESSENTIAL SURVEY STAKING TO PREVENT CONFLICTS WITH THE HIGHWAY CONSTRUCTION. FREQUENTLY, THIS WILL BE REQUIRED AS THE FIRST ITEM OF WORK AND AT ANY LOCATION ON THE PROJECT DIRECTED BY THE ENGINEER.
- (3) THE CONTRACTOR WILL PROVIDE ALL NECESSARY PROTECTIVE MEASURES TO SAFEGUARD EXISTING UTILITIES FROM DAMAGE DURING CONSTRUCTION OF THIS PROJECT. IN THE EVENT THAT SPECIAL EQUIPMENT IS REQUIRED TO WORK OVER AND AROUND THE UTILITIES, THE CONTRACTOR WILL BE REQUIRED TO FURNISH SUCH EQUIPMENT. THE COST OF PROTECTING UTILITIES FROM DAMAGE AND FURNISHING SPECIAL EQUIPMENT WILL BE INCLUDED IN THE PRICE BID FOR OTHER ITEMS OF CONSTRUCTION.
- (4) PRIOR TO SUBMITTING HIS BID, THE CONTRACTOR WILL BE SOLELY RESPONSIBLE FOR CONTACTING OWNERS OF ALL AFFECTED UTILITIES IN ORDER TO DETERMINE THE EXTENT TO WHICH UTILITY RELOCATIONS AND/OR ADJUSTMENTS WILL HAVE UPON THE SCHEDULE OF WORK FOR THE PROJECT. WHILE SOME WORK MAY BE REQUIRED 'AROUND' UTILITY FACILITIES THAT WILL REMAIN IN PLACE, OTHER UTILITY FACILITIES MAY NEED TO BE ADJUSTED CONCURRENTLY WITH THE CONTRACTOR'S OPERATIONS. ADVANCE CLEAR CUTTING MAY BE REQUIRED BY THE ENGINEER AT ANY LOCATION WHERE CLEARING IS CALLED FOR IN THE SPECIFICATIONS AND CLEAR CUTTING IS NECESSARY FOR A UTILITY RELOCATION. ANY ADDITIONAL COST WILL BE INCLUDED IN THE UNIT PRICE BID FOR THE CLEARING ITEM SPECIFIED IN THE PLANS.
- (5) THE CONTRACTOR SHALL NOTIFY EACH INDIVIDUAL UTILITY OWNER OF HIS PLAN OF OPERATION IN THE AREA OF THE UTILITIES. PRIOR TO COMMENCING WORK, THE CONTRACTOR SHALL CONTACT THE UTILITY OWNERS AND REQUEST THEM TO PROPERLY LOCATE THEIR RESPECTIVE UTILITY ON THE GROUND. THIS NOTIFICATION SHALL BE GIVEN AT LEAST THREE (3) BUSINESS DAYS PRIOR TO COMMENCEMENT OF OPERATIONS AROUND THE UTILITY IN ACCORDANCE WITH TCA 65-31-106. NOTIFICATION BY CALLING THE TENNESSEE ONE CALL SYSTEM, INC AT 1-800-351-1111 WILL BE REQUIRED.

UTILITY OWNERS

WATER, GAS, & ELECTRIC:

MLG&W
 220 SOUTH MAIN STREET
 MEMPHIS, TN 38103
 CONTACT: DARRYL MCLEMORE
 OFFICE PHONE: 901 528 4186
 CELL PHONE: 901 502 6207
 Email: DMCLEMORE@MLGW.ORG

DRAINAGE / STORMWATER:

CITY OF MEMPHIS
 125 NORTH MAIN STREET SUITE 677
 MEMPHIS, TN 38103
 CONTACT: ELIZABETH KLINE
 OFFICE PHONE: 901 636 6700
 CELL PHONE: 901 636 6906
 Email: ELIZABETH.KLINE@MEMPHISTN.GOV

SEWER:

CITY OF MEMPHIS
 125 NORTH MAIN STREET ROOM 639
 MEMPHIS, TN 38103
 CONTACT: FARAEDOON QALADIZE
 OFFICE PHONE: 901 636 6725
 CELL PHONE: 901 636 6971
 Email: FARAEDOON.QALADIZE@MEMPHISTN.GOV

COMMUNICATIONS:

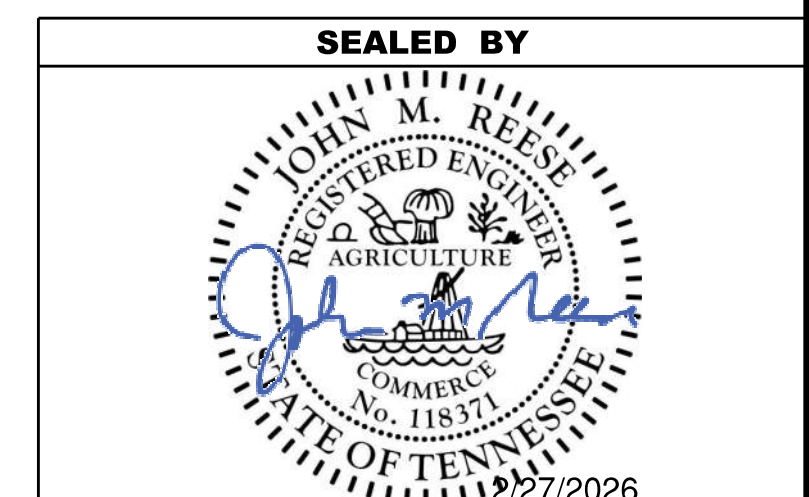
COMCAST
 5450 WINCHESTER ROAD
 MEMPHIS, TN 38115
 CONTACT: ANDREW SMITH
 OFFICE PHONE: 901 623 7471
 CELL PHONE: 901 208 5380
 Email: ANDREW_SMITH6@COMCAST.COM

COMMUNICATIONS:

AT&T
 315 EAST COLLEGE STREET
 JACKSON, TN 38301
 CONTACT: DANIEL R. POTTS
 OFFICE PHONE: 901 488 2359
 Email: DP7607@ATT.COM

SIGNALS:

CITY OF MEMPHIS
 125 NORTH MAIN STREET ROOM 668
 MEMPHIS, TN 38103
 CONTACT: RANDALL TATUM
 OFFICE PHONE: 901 636 6710
 Email: RANDALL.TATUM@MEMPHISTN.GOV



**STATE OF TENNESSEE
 DEPARTMENT OF TRANSPORTATION**

UTILITY NOTES
 AND
 UTILITY OWNERS

PAVEMENT EDGE DROP-OFF TRAFFIC CONTROL NOTES

TYPE	YEAR	PROJECT NO.	SHEET NO.
RESURF	2026	STP/HSP-1(477)	T1

A. DIFFERENCES IN ELEVATION BETWEEN ADJACENT TRAFFIC LANES OR TRAFFIC LANE AND SHOULDER WHERE THE TRAFFIC LANE IS BEING USED BY TRAFFIC, CAUSED BY BASE, PAVING OR RESURFACING:

1. DIFFERENCES IN ELEVATION BETWEEN ADJACENT ROADWAY ELEMENTS GREATER THAN 0.75 INCH AND NOT EXCEEDING 1.75 INCHES:
 - a. WARNING SIGNS, UNEVEN LANES (W8-11) AND/OR SHOULDER DROP-OFF WITH PLAQUE (W8-17 AND W8-17P), SHALL BE PLACED IN ADVANCE OF AND THROUGHOUT THE EXPOSED AREA. MAXIMUM SPACING BETWEEN SIGNS SHALL BE 2,000 FEET WITH A MINIMUM OF 2 SIGNS PER EXPOSED AREA. WHERE UNEVEN PAVEMENT IS ENCOUNTERED, SIGNS SHALL BE PLACED ON EACH SIDE OF THE ROADWAY.
 - b. DIFFERENCES IN ELEVATION BETWEEN ADJACENT TRAFFIC LANES BEING UTILIZED BY TRAFFIC CAUSED BY ADDED PAVEMENT SHALL BE ELIMINATED WITHIN THREE WORKDAYS.
 - c. DIFFERENCES IN ELEVATION BETWEEN ADJACENT TRAFFIC LANES BEING UTILIZED BY TRAFFIC CAUSED BY COLD PLANING SHALL BE ELIMINATED WITHIN THREE WORKDAYS.
 - d. WHEN THE DIFFERENCE IN ELEVATION IS BETWEEN THE TRAFFIC LANE BEING UTILIZED BY TRAFFIC AND SHOULDER THE DIFFERENCE IN ELEVATION SHALL BE ELIMINATED WITHIN SEVEN WORKDAYS AFTER THE CONDITION IS CREATED.
2. DIFFERENCES IN ELEVATION BETWEEN ADJACENT ROADWAY ELEMENTS GREATER THAN 1.75 INCHES AND NOT EXCEEDING 6 INCHES, TRAFFIC IS NOT TO BE ALLOWED TO TRAVERSE THIS DIFFERENCE IN ELEVATION.
 - a. SEPARATION SHALL BE ACCOMPLISHED BY DRUMS, BARRICADES OR OTHER APPROVED DEVICES IN ACCORDANCE WITH THE FOLLOWING:
 - (1) WHERE POSTED SPEEDS ARE 50 MPH OR GREATER, SPACING OF THE PROTECTIVE DEVICES SHALL NOT EXCEED 100 FEET.
 - (2) WHERE POSTED SPEEDS ARE LESS THAN 50 MPH, THE MAXIMUM SPACING OF THE PROTECTIVE DEVICES IN FEET SHALL NOT EXCEED TWICE THE POSTED SPEED IN MILES PER HOUR OR 50 FEET, WHICHEVER SPACING IS GREATER.
 - b. IF THE DIFFERENCE IN ELEVATION IS ELIMINATED OR DECREASED TO 2 INCHES OR LESS BY THE END OF EACH WORKDAY, CONES MAY BE USED DURING DAYLIGHT HOURS IN LIEU OF DRUMS, BARRICADES OR OTHER APPROVED PROTECTIVE DEVICES MENTIONED IN PARAGRAPH a, PROVIDED WARNING SIGNS ARE ERECTED. WARNING SIGNS (UNEVEN LANES AND/OR SHOULDER DROP-OFF) SHALL BE PLACED IN ADVANCE OF AND THROUGHOUT THE EXPOSED AREA. MAXIMUM SPACING BETWEEN SIGNS SHALL BE 2,000 FEET WITH A MINIMUM OF 2 SIGNS PER EXPOSED AREA. WHERE UNEVEN PAVEMENT IS ENCOUNTERED, SIGNS SHALL BE PLACED ON EACH SIDE OF THE ROADWAY.
 - c. WHEN THE DIFFERENCE IN ELEVATION IS BETWEEN THE THROUGH TRAFFIC LANE AND THE SHOULDER AND THE ELEVATION DIFFERENCE IS LESS THAN 3 INCHES, THE CONTRACTOR MAY USE WARNING SIGNS AND/OR PROTECTIVE DEVICES AS APPLICABLE AND APPROVED BY THE REGIONAL TRAFFIC ENGINEER. SEE PARAGRAPH a REGARDING USE OF DRUMS, BARRICADES OR OTHER APPROVED PROTECTIVE DEVICES. WARNING SIGNS (UNEVEN LANES AND/OR SHOULDER DROP-OFF) WILL BE PLACED IN ADVANCE OF AND THROUGHOUT THE EXPOSED AREA. MAXIMUM SPACING BETWEEN SIGNS SHALL BE 2,000 FEET WITH A MINIMUM OF 2 SIGNS PER EXPOSED AREA. WHERE UNEVEN PAVEMENT IS ENCOUNTERED, SIGNS SHALL BE PLACED ON EACH SIDE OF THE ROADWAY.

IN THESE SITUATIONS, THE CONTRACTOR SHALL LIMIT HIS OPERATIONS TO ONE WORK ZONE NOT EXCEEDING 2 MILES IN LENGTH UNLESS OTHERWISE NOTED ON THE PLANS OR APPROVED BY THE ENGINEER. ONCE THE CONTRACTOR BEGINS WORK IN A WORK ZONE, A CONTINUOUS OPERATION SHALL BE MAINTAINED UNTIL THE DIFFERENCE IN ELEVATION IS ELIMINATED. SIMULTANEOUS WORK ON SEPARATE ROADWAYS OF DIVIDED HIGHWAYS WILL BE CONSIDERED INDEPENDENTLY IN REGARD TO RESTRICTION OF WORK ZONE ACTIVITY.

3. DIFFERENCES IN ELEVATION BETWEEN ADJACENT ROADWAY ELEMENTS GREATER THAN 6 INCHES BUT NOT EXCEEDING 18 INCHES, THE CONTRACTOR, WITH THE ENGINEER'S APPROVAL, MAY UTILIZE ONE OF THE FOLLOWING:

- a. THE CONTRACTOR SHALL ACCOMPLISH SEPARATION BY DRUMS, BARRICADES OR OTHER APPROVED DEVICES IN ACCORDANCE WITH THE FOLLOWING:
 - (1) WHERE POSTED SPEEDS ARE 50 MPH OR GREATER, SPACING OF THE PROTECTIVE DEVICES SHALL NOT EXCEED 100 FEET.
 - (2) WHERE POSTED SPEEDS ARE LESS THAN 50 MPH, THE MAXIMUM SPACING OF THE PROTECTIVE DEVICES IN FEET SHALL NOT EXCEED TWICE THE POSTED SPEED IN MILES PER HOUR OR 50 FEET, WHICHEVER SPACING IS GREATER.

IN ORDER TO USE THIS METHOD, THE CONTRACTOR MUST REDUCE THE DIFFERENCE IN ELEVATION TO 6 INCHES OR LESS BY THE END OF THE WORKDAY THAT THE CONDITION IS CREATED.

- b. THE CONTRACTOR SHALL PROVIDE DRUMS, BARRICADES OR OTHER APPROVED SEPARATION DEVICES AS SPECIFIED IN PARAGRAPH a, AND CONSTRUCT A STONE WEDGE WITH A 4:1 SLOPE, OR FLATTER, TO ELIMINATE THE VERTICAL OFFSET IF THE LOWER ELEVATION IS AT OR BELOW SUBGRADE AT THE END OF EACH DAY.
- c. THE CONTRACTOR SHALL PROVIDE DRUMS, BARRICADES OR OTHER APPROVED SEPARATION DEVICES AS SPECIFIED IN PARAGRAPH a AND IF THE LOWER ELEVATION IS BASE STONE OR ASPHALT PAVEMENT, PLACEMENT OF SUBSEQUENT LAYERS OF PAVEMENT MUST BEGIN THE NEXT WORK DAY AND PROGRESS CONTINUOUSLY UNTIL THE DIFFERENCE IN ELEVATION IS ELIMINATED OR REDUCED TO SIX INCHES OR LESS.
- d. THE CONTRACTOR SHALL PROVIDE SEPARATION BY PORTABLE BARRIER RAIL.

FOR PRECEDING CONDITIONS a, b, AND c, THE CONTRACTOR SHALL USE THE SHOULDER DROP-OFF WARNING SIGN WITH PLAQUE (W8-17 AND W8-17P). IT SHALL BE PLACED IN ADVANCE OF AND THROUGHOUT THE EXPOSED AREA. MAXIMUM SPACING BETWEEN THE SIGNS SHALL BE 2,000 FEET WITH A MINIMUM OF 2 SIGNS PER EXPOSED AREA. IN THESE SITUATIONS, THE CONTRACTOR SHALL LIMIT HIS OPERATIONS TO ONE WORK ZONE NOT EXCEEDING 1 MILE IN LENGTH UNLESS OTHERWISE NOTED ON THE PLANS OR APPROVED BY THE ENGINEER. ONCE THE CONTRACTOR BEGINS WORK IN A WORK ZONE, A CONTINUOUS OPERATION SHALL BE MAINTAINED UNTIL THE DIFFERENCE IS ELIMINATED. SIMULTANEOUS WORK ON SEPARATE ROADWAYS OF DIVIDED HIGHWAYS WILL BE CONSIDERED INDEPENDENTLY IN REGARD TO RESTRICTION OF WORK ZONE ACTIVITY.

4. FOR DIFFERENCES IN ELEVATION BETWEEN ADJACENT ROADWAY ELEMENTS GREATER THAN 18 INCHES.

SEPARATION WILL BE PROVIDED BY USE OF PORTABLE BARRIER RAIL.

IN THIS SITUATION THE CONTRACTOR SHALL LIMIT HIS OPERATIONS TO ONE WORK ZONE NOT EXCEEDING 1 MILE IN LENGTH UNLESS OTHERWISE NOTED ON THE PLANS OR APPROVED BY THE ENGINEER. ONCE THE CONTRACTOR BEGINS WORK IN A WORK ZONE, A CONTINUOUS OPERATION SHALL BE MAINTAINED UNTIL THE DIFFERENCE IN ELEVATION IS ELIMINATED. SIMULTANEOUS WORK ON SEPARATE ROADWAYS OF DIVIDED HIGHWAYS WILL BE CONSIDERED INDEPENDENTLY IN REGARD TO RESTRICTION OF WORK ZONE ACTIVITY.

B. IF THE DIFFERENCE IN ELEVATION IS WITHIN 30 FEET OF THE NEAREST TRAFFIC LANE BEING USED BY TRAFFIC CAUSED BY GRADING, EXCAVATION FOR UTILITIES, DRAINAGE STRUCTURES, UNDERCUTTING, ETC.:

1. IF THE DIFFERENCE IN ELEVATION IS WITHIN 8 FEET OF THE NEAREST TRAFFIC LANE WITH DIFFERENCE IN ELEVATION GREATER THAN 3/4 INCH AND NOT EXCEEDING 2 INCHES.
 - a. WARNING SIGNS (UNEVEN LANES AND/OR SHOULDER DROP-OFF) SHALL BE PLACED IN ADVANCE OF AND THROUGHOUT THE EXPOSED AREA. MAXIMUM SPACING BETWEEN SIGNS SHALL BE 2,000 FEET WITH A MINIMUM OF 2 SIGNS PER EXPOSED AREA. WHERE UNEVEN PAVEMENT IS ENCOUNTERED, SIGNS SHALL BE PLACED ON EACH SIDE OF THE ROADWAY.
2. IF THE DIFFERENCE IN ELEVATION IS WITHIN 8 FEET OF THE NEAREST TRAFFIC LANE WITH DIFFERENCE IN ELEVATION GREATER THAN 2 INCHES AND NOT EXCEEDING 6 INCHES:
 - a. SEPARATION SHALL BE ACCOMPLISHED BY DRUMS, BARRICADES OR OTHER APPROVED DEVICES IN ACCORDANCE WITH THE FOLLOWING:
 - (1) WHERE POSTED SPEEDS ARE 50 MPH OR GREATER, SPACING OF THE PROTECTIVE DEVICES SHALL NOT EXCEED 100 FEET.
 - (2) WHERE POSTED SPEEDS ARE LESS THAN 50 MPH THE MAXIMUM SPACING OF THE PROTECTIVE DEVICES IN FEET SHALL NOT EXCEED TWICE THE POSTED SPEED IN MILES PER HOUR OR 50 FEET, WHICHEVER SPACING IS GREATER.
3. IF THE DIFFERENCE IN ELEVATION IS WITHIN 8 FEET OF THE NEAREST TRAFFIC LANE WITH DIFFERENCE IN ELEVATION GREATER THAN 6 INCHES:
 - a. SEPARATION SHALL BE ACCOMPLISHED BY DRUMS, BARRICADES OR OTHER APPROVED DEVICES IN ACCORDANCE WITH THE FOLLOWING:
 - (1) WHERE POSTED SPEEDS ARE 50 MPH OR GREATER, SPACING OF THE PROTECTIVE DEVICES SHALL NOT EXCEED 100 FEET.
 - (2) WHERE POSTED SPEEDS ARE LESS THAN 50 MPH THE MAXIMUM SPACING OF THE PROTECTIVE DEVICES IN FEET SHALL NOT EXCEED TWICE THE POSTED SPEED IN MILES PER HOUR OR 50 FEET, WHICHEVER SPACING IS GREATER.
 - b. ELIMINATE VERTICAL OFFSET BY CONSTRUCTING A STONE WEDGE OR GRADING TO A 4:1 SLOPE, OR FLATTER, OR USE PORTABLE BARRIER RAIL.

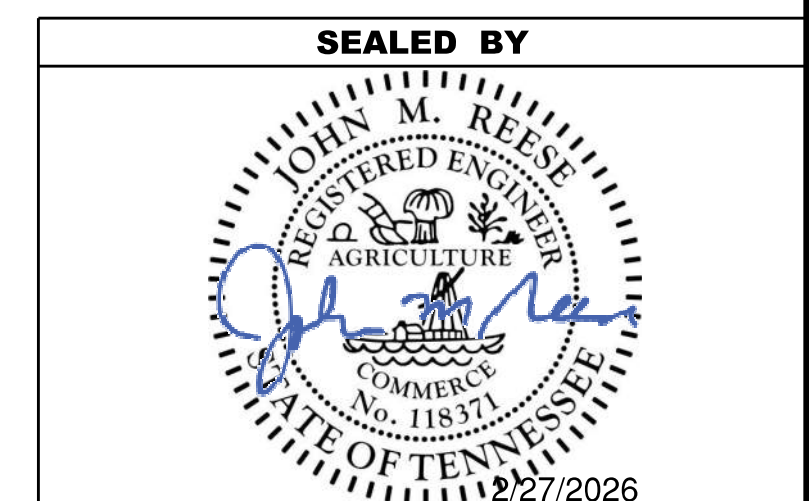
THE CONTRACTOR SHALL SCHEDULE THE WORK SO AS TO MINIMIZE THE TIME TRAFFIC IS EXPOSED TO AN ELEVATION DIFFERENCE. ONCE THE CONTRACTOR BEGINS AN ACTIVITY THAT CREATES AN ELEVATION DIFFERENCE WITHIN 8 FEET OF A TRAFFIC LANE, THE ACTIVITY SHALL BE PURSUED AS A CONTINUOUS OPERATION UNTIL THE ELEVATION DIFFERENCE IS ELIMINATED.

C. IF THE DIFFERENCE IN ELEVATION IS FARTHER THAN 8 FEET FROM THE NEAREST TRAFFIC LANE BUT NOT MORE THAN 30 FEET FROM THE NEAREST TRAFFIC LANE:

SEPARATION SHALL BE ACCOMPLISHED BY DRUMS, BARRICADES OR OTHER APPROVED DEVICES IN ACCORDANCE WITH THE FOLLOWING:

1. WHERE POSTED SPEEDS ARE 50 MPH OR GREATER, SPACING OF THE PROTECTIVE DEVICES SHALL NOT EXCEED 100 FEET.
2. WHERE POSTED SPEEDS ARE LESS THAN 50 MPH, THE MAXIMUM SPACING OF THE PROTECTIVE DEVICES IN FEET SHALL NOT EXCEED TWICE THE POSTED SPEED IN MILES PER HOUR OR 50 FEET, WHICHEVER SPACING IS GREATER.

THE CONTRACTOR SHALL SCHEDULE THE WORK SO AS TO MINIMIZE THE TIME TRAFFIC IS EXPOSED TO AN ELEVATION DIFFERENCE. ONCE THE CONTRACTOR BEGINS AN ACTIVITY THAT CREATES AN ELEVATION DIFFERENCE, THE ACTIVITY SHALL BE PURSUED AS A CONTINUOUS OPERATION UNTIL THE ELEVATION DIFFERENCE IS ELIMINATED.



STATE OF TENNESSEE
DEPARTMENT OF TRANSPORTATION

PAVEMENT EDGE
DROP-OFF NOTES
FOR
TRAFFIC CONTROL

PROJECT NO.	YEAR	SHEET NO.
79S001-M3-006	2026	B-1

REVISIONS			
NO.	DATE	BY	BRIEF DESCRIPTION
-	-		
-	-		
-	-		
-	-		

INDEX OF DRAWINGS

DWG. NO.

LAST REV. DATE

SIGNATURE SHEET	BRIDGE-SIGN 1
INDEX OF DRAWINGS	B-1
BRIDGE TABULATION AND ESTIMATED QUANTITIES	
REPAIRS NOTES AND DETAILS	B-2
TYPE 1 THIN EPOXY OVERLAY NOTES	B-3
EXPANSION JOINT REPAIRS NOTES	B-4
PLAN VIEW REPAIRS LOCATIONS	B-5
PHASE CONSTRUCTION	B-6

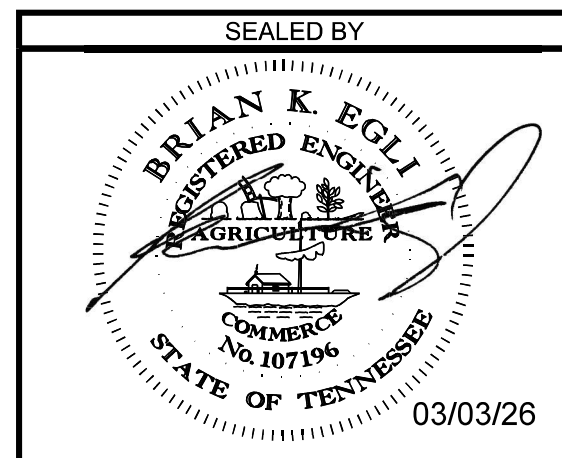
INDEX OF REFERENCE DRAWINGS

DWG. NO.

LAYOUT OF BRIDGE	M-443-112
SUPERSTRUCTURE	M-443-118
REINFORCED CONCRETE PAVEMENT AT BRIDGE ENDS	STD-1-5

\$\$\$\$SYTIME\$\$\$\$
 \$\$\$DONSPC\$\$\$
 \$\$\$SYTIME\$\$\$\$

PIN NO.: 123947.00
 DESIGN BY: ASHRAF.ARMANIOS DATE: 12/18/2025
 SUPERVISED BY: DARRELL.PALMORE DATE: 12/18/2025
 CHECKED BY: KEVIN.MARTINKO DATE: 12/18/2025

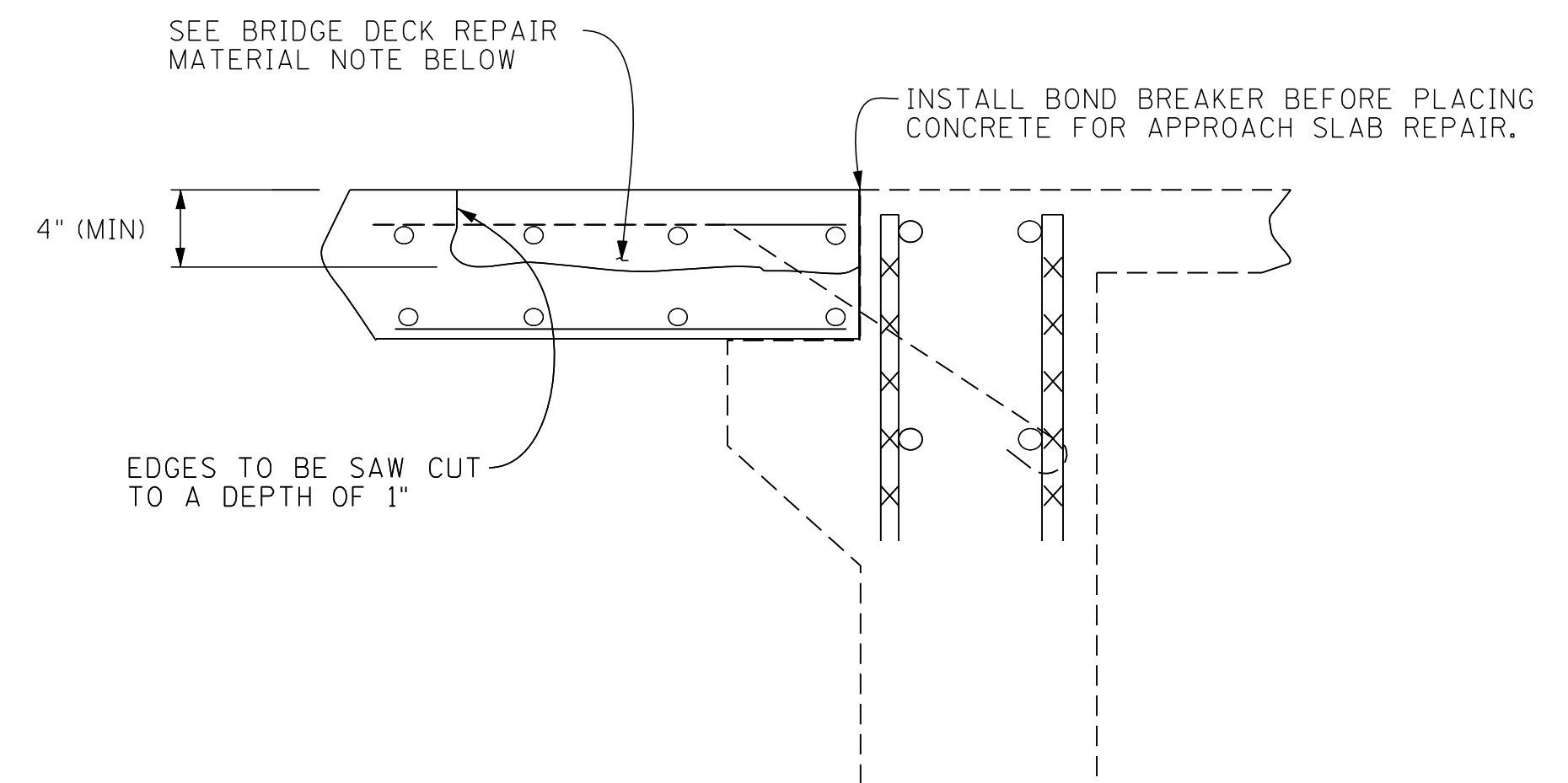


STATE OF TENNESSEE
 DEPARTMENT OF TRANSPORTATION

INDEX OF DRAWINGS
 BR.79-SR001-4.38
 (79I00400035)
 OVER
 I-40
 SHELBY COUNTY
 2026

PROJECT NO.	YEAR	SHEET NO.	
79S001-M3-006	2026	B-2	
REVISIONS			
NO.	DATE	BY	BRIEF DESCRIPTION
--			
--			
--			
--			
--			

TABULATION OF BRIDGE RELATED WORK AND ESTIMATED QUANTITIES					
LOCATION OF BRIDGE AND BRIDGE NUMBER	REFERENCE DRAWINGS TO BE PRINTED WITH CONTRACT DRAWINGS	TYPE OF WORK	617-04.01 TYPE 1 THIN EPOXY OVERLAY (EPOXY-URETHANE) S.Y.	604-10.44 EXPANSION JOINT REPAIRS L.F.	604-10.53 CONCRETE REPAIRS (PARTIAL DEPTH OF APPROACH PAVEMENT) S.Y.
79-SR001-4.38 OVER I-40 (79100400035)	M-443-112 M-443-118 STD-1-5	TYPE 1 THIN EPOXY OVERLAY EXPANSION JOINT REPAIRS CONCRETE REPAIRS	3145	183	65
TOTAL			3145	183	65



CONCRETE APPROACH PAVEMENT REPAIR DETAILS:

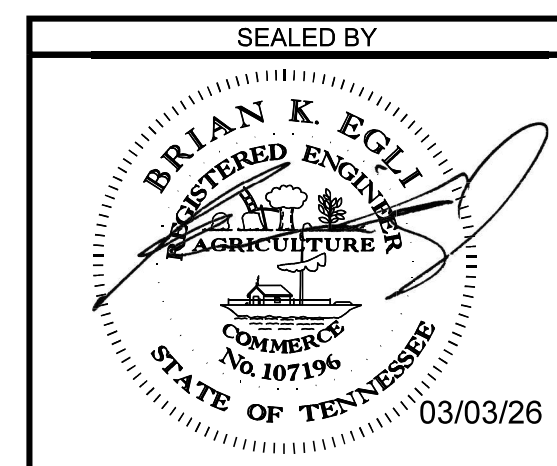
- NOTE: REMOVE CONCRETE TO A DEPTH OF 3/4" MINIMUM BELOW EXISTING REINFORCING STEEL OR TO SOUND CONCRETE. CONCRETE REMOVAL SHOULD BE TO A MINIMUM DEPTH OF 4". DEPTH FOR CONCRETE REMOVAL SHOULD NOT BE MORE THAN 6".
- NOTE: COST OF SAW CUTTING, CONCRETE REMOVAL, COMPLETELY CLEANING EXPOSED REINFORCING STEEL, LABOR, AND ANY MISCELLANEOUS MATERIALS NECESSARY TO COMPLETE THE REPAIRS AS SHOWN SHALL BE INCLUDED IN ITEM NO. 604-10.53 CONCRETE REPAIR S.Y.
- NOTE: ITEM NO. 604-10.53, CONCRETE REPAIR (PARTIAL DEPTH OF APPROACH PVMT.) MAY BE INCREASED, DECREASED OR ELIMINATED AS DIRECTED BY THE ENGINEER.

BRIDGE DECK REPAIR MATERIAL

ALL REPAIRS SHALL USE AN EXTENDED QUICK SET PATCHING MATERIAL FROM THE TDOT QUALIFIED PRODUCTS LIST: 13.004-RAPID SET CEMENTITIOUS PATCHING MATERIALS. PATCHING MATERIAL SHALL BE APPLIED ACCORDING TO MANUFACTURER'S SPECIFICATIONS. MIX MUST MEET 3000 P.S.I. BEFORE OPENING TO TRAFFIC.

POWER DRIVEN HAND TOOLS:

- POWER DRIVEN HAND TOOLS USED FOR THE REMOVAL OF UNSOUND CONCRETE IN MAKING PARTIAL AND FULL DEPTH REPAIRS ARE SUBJECT TO THE FOLLOWING RESTRICTIONS:
- (1) PARTIAL DEPTH REPAIRS; PNEUMATIC HAMMERS HEAVIER THAN NOMINAL 60 LB. CLASS SHALL NOT BE USED. ALSO TRAFFIC CONTROL SHALL BE SET UP DURING PARTIAL DEPTH REPAIRS OVER TRAFFIC.
 - (2) CHIPPING HAMMERS OF THE 15 LB. CLASS SHALL BE USED TO REMOVE CONCRETE FROM BENEATH ANY REINFORCING STEEL.



STATE OF TENNESSEE
DEPARTMENT OF TRANSPORTATION
BRIDGE TABULATION AND
ESTIMATED QUANTITIES,
REPAIRS NOTES AND DETAILS
BR.79-10040-16.45
(79100400035)
OVER
I-40
SHELBY COUNTY
2026

\$\$\$\$\$SYTIME\$\$\$\$\$
\$\$\$\$\$DONSPEC\$\$\$\$\$
\$\$\$\$\$DOCSPEC\$\$\$\$\$

PIN NO.: 123947.00
DESIGN BY: ASHRAF.ARMANIOS DATE: 12/18/2025
DRAWN BY: DARRELL.PALMORE DATE: 12/18/2025
SUPERVISED BY: KEVIN.MARTINKO DATE: 12/18/2025
CHECKED BY:

PROJECT NO.	YEAR	SHEET NO.	
79S001-M3-006	2026	B-3	
REVISIONS			
NO.	DATE	BY	BRIEF DESCRIPTION
-	-	-	-
-	-	-	-
-	-	-	-
-	-	-	-
-	-	-	-

TYPE 1 THIN EPOXY OVERLAY NOTES :

TYPE 1 THIN EPOXY OVERLAY SYSTEM - USE DECK PRETREATMENT/PRIMER PER MANUFACTURER'S RECOMMENDATION, AND 2 LIFTS OF AN EPOXY-URETHANE COPOLYMER AND AGGREGATE. TYPE 1 OVERLAY SHALL BE APPLIED MECHANICALLY USING METERED EQUIPMENT; HAND MIXING OF MATERIAL IS NOT PERMITTED.

THIN OVERLAY SYSTEM SHALL BE FROM THE QUALIFIED PRODUCTS LIST 23.005 TYPE 1 THIN OVERLAY (EPOXY URETHANE). MINIMUM OVERLAY THICKNESS SHALL BE 3/8 INCH.

APPLICATION EQUIPMENT SHOULD :

- A) BE CAPABLE OF METERING, MIXING AND DISTRIBUTING THE POLYMER AND PRETREATMENT TO MANUFACTURER'S RECOMMENDATION.
- B) USE AN APPLICATION MACHINE THAT FEATURES POSITIVE DISPLACEMENT VOLUMETRIC METERING PUMPS CONTROLLED BY A HYDRAULIC POWER UNIT.
- C) STORE COMPONENTS IN TEMPERATURE CONTROLLED RESERVOIRS CAPABLE OF MAINTAINING 100 DEGREES FAHRENHEIT (PLUS OR MINUS 10 DEGREES) TO INSURE OPTIMAL MIXING.
- D) CHECK MIXING RATIO AT THE PUMP OUTLETS AS WELL AS CYCLE COUNTING CAPABILITIES TO MONITOR OUTPUT ON STANDARD FEATURES.
- E) USE MOTIONLESS IN-LINE MIXING SO AS TO NOT OVERLY SHEAR THE MATERIAL TO ENTRAP AIR IN THE MIX.
- F) MAXIMIZE MATERIAL WORKING TIME BY MIXING IT IMMEDIATELY BEFORE DISPENSING.

AGGREGATE SHALL BE ANGULAR, HAVING LESS THAN 0.2% MOISTURE AND FREE OF DIRT, CLAY, ASPHALT AND OTHER FOREIGN OR ORGANIC MATERIALS. AGGREGATE FOR ALL LAYERS SHALL BE BAUXITE OR FLINT ROCK PRODUCTS FLINT AND MEETS THE FOLLOWING GRADATION:

SIEVE SIZE	% PASSING
NO. 6	95-100
NO. 10	10-35
NO. 20	0-3

FULL AND PARTIAL DEPTH DECK REPAIR SHALL CURE A MINIMUM OF 28 DAYS BEFORE THE OVERLAY IS PLACED. THE 28 DAYS MAY BE WAIVED IF THE OVERLAY MANUFACTURER PROVIDES A METHOD OF TESTING THE REPAIRED AREAS AND APPROVES THE PLACEMENT BY LETTER. TRAFFIC SHALL BE ALLOWED TO USE THE BRIDGE DURING THE CURING PERIOD OF THE PATCHES BUT NOT AFTER SHOTBLASTING. MAGNESIUM PHOSPHATE BASED MATERIALS WILL NOT BE ALLOWED.

THE CONCRETE DECK SURFACE SHALL BE CLEANED BY SHOTBLASTING TO REMOVE ANY OIL, DIRT, RUBBER, TRAFFIC STRIPING, OR ANY OTHER POTENTIAL DETRIMENTAL MATERIAL SUCH AS CURING COMPOUND AND LAITANCES, WHICH THE MANUFACTURER AND ENGINEER'S OPINION WOULD PREVENT PROPER BONDING AND CURING OF THE MATERIAL. IN AREAS WHERE SHOTBLASTING EQUIPMENT CAN NOT REACH (I.E., ALONG CURBS AND BRIDGE RAILS) SANDBLASTING IS PERMITTED TO AN EXTENT TO THE ENGINEER'S AND MANUFACTURER'S APPROVAL. IMMEDIATELY BEFORE APPLICATION, ALL PREPARED SURFACES SHALL BE CLEANED WITH COMPRESSED AIR OR VACUUMED TO REMOVE DUST AND DEBRIS. THE CONTRACTOR IS TO PREVENT THE TRACKING OF TACK COAT AND CONSTRUCTION DEBRIS ACROSS THE BRIDGE DECK PRIOR TO THE APPLICATION OF THE THIN OVERLAY. MILLING THE BRIDGE DECK WILL NOT BE AN OPTION FOR TACK COAT OR DEBRIS REMOVAL. REMOVAL SHALL BE AT THE CONTRACTOR'S EXPENSE.

ALL SURFACES THAT ARE TREATED SHALL BE DRY AT THE TIME OF APPLICATION. THE OVERLAY SHALL NOT BE APPLIED WHEN IT HAS RAINED 24 HOURS PRIOR TO, OR RAIN IS FORECAST WITHIN 8 HOURS AFTER, APPLICATION. THE MOISTURE CONTENT IN THE DECK SUBSTRATE SHALL BE TESTED. MOISTURE IS NOT TO EXCEED 4.5 PERCENT WHEN MEASURED BY ELECTRONIC METER. IF THE TEST SHOWS EXCESS MOISTURE, THE DECK SHALL CONTINUE TO DRY BEFORE APPLICATION PROCEEDS.

BLUSHING (A WAXY SURFACE COATING ON THE EPOXY) IS CAUSED BY THE REACTION OF MOISTURE WITH THE HARDENING AGENT. BLUSHING CREATES A SURFACE THAT MAKES FUTURE LAYERS DIFFICULT TO ADHERE. LIFTS THAT SHOW SIGNS OF BLUSHING SHALL BE REMOVED AND REPLACED PRIOR TO APPLICATION OF THE NEXT. THE COST TO REMOVE AND REPLACE THESE AREAS SHALL BE AT THE CONTRACTOR'S EXPENSE.

TRAFFIC, OTHER THAN APPLICATION EQUIPMENT, SHALL NOT BE ALLOWED ON ANY PORTION OF THE DECK THAT HAS BEEN SHOTBLASTED OR WHERE PART OF THE APPLICATION HAS BEEN PLACED.

SEE MANUFACTURER'S RECOMMENDATIONS FOR REQUIRED AMBIENT AND SURFACE TEMPERATURES AND HUMIDITY LIMITS FOR APPLICATION.

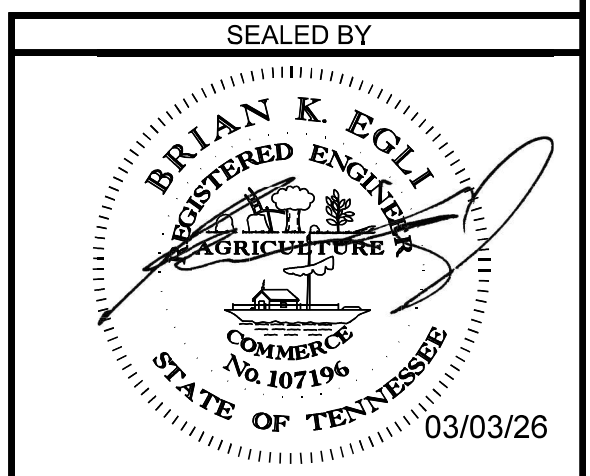
THE MANUFACTURER SHALL HAVE A REPRESENTATIVE ON THE JOB SITE AT ALL TIMES DURING APPLICATION AND CURE TIME. THE REPRESENTATIVE, ALONG WITH CONSULTATION WITH ENGINEER, MAY SUSPEND ANY ITEM OF WORK THAT IS SUSPECT AND DOES NOT MEET THE REQUIREMENTS OF THE SPECIFICATIONS. WORK SHALL NOT RESUME UNTIL THE ENGINEER AND REPRESENTATIVE ARE SATISFIED THAT APPROPRIATE REMEDIAL ACTION HAS BEEN TAKEN BY THE CONTRACTOR.

ALL COSTS FOR AGGREGATE, EPOXY FOR MINIMUM OF TWO LIFTS, SURFACE PREPARATION, LABOR AND ANY OTHER MISCELLANEOUS MATERIALS REQUIRED TO PLACE THIN OVERLAY SHALL BE INCLUDED IN ITEM NO. 617-04.01, TYPE 1 THIN EPOXY OVERLAY (EPOXY URETHANE), S.Y.

THICKNESS VERIFICATION: THE PROJECT ENGINEER SHALL BE NOTIFIED OF THE NUMBER OF GALLONS USED ON THE PROJECT WITH NOTARIZED QUANTITY STATEMENTS FROM THE CONTRACTOR AND THE MANUFACTURER. THE CONTRACTOR SHALL VERIFY TO TDOT THAT THE OVERLAY IS AN AVERAGE OF AT LEAST 3/8 INCH THICK AT THREE RANDOM LOCATIONS AGREED UPON BY THE PROJECT ENGINEER AND THE MATERIAL MANUFACTURER REPRESENTATIVE. IF 3/8 INCH AVERAGE IS NOT ACHIEVED, A RETEST SHALL BE PERFORMED IN ADJOINING AREAS. THIN AREAS SHALL BE RE-COATED AS DESCRIBED ABOVE BY THE CONTRACTOR AND RE-VERIFIED AT NO ADDITIONAL COST TO TDOT. THIS VERIFICATION MAY CONSIST OF CORES MADE BY THE CONTRACTOR WITH A CORING BIT NOT LESS THAN 1 1/2" DIAMETER. THE TESTED AREAS SHALL BE REPAIRED BY THE CONTRACTOR BEFORE FINAL ACCEPTANCE BY THE PROJECT ENGINEER.

THE MANUFACTURER SHALL HAVE A REP ON THE JOB SITE AT ALL TIME DURING APPLICATION AND CURE TIME. THE REP WITH THE ENGINEER, MAY SUSPEND AN ITEM OF WORK THAT IS SUSPECT AND DOES NOT MEET THE REQUIREMENTS OF THE SPECS. WORK SHALL NOT RESUME UNTIL THE ENGINEER AND REP ARE SATISFIED THAT APPROPRIATE REMEDIAL ACTION HAS BEEN TAKEN BY THE CONTRACTOR.

NOTE: THE CONTRACTOR IS TO PREVENT THE TRACKING OF TACKCOAT AND CONSTRUCTION DEBRIS ACROSS THE BRIFGE DECK PRIOR TO APPLICATION OF THE EPOXY OVERLAY. MILLING THE BRIDGE DECK WILL NOT BE AN OPTION FOR TACKCOAT OR DEBRIS REMOVAL. REMOVAL SHALL BE AT THE CONTRACTOR'S EXPENSE.



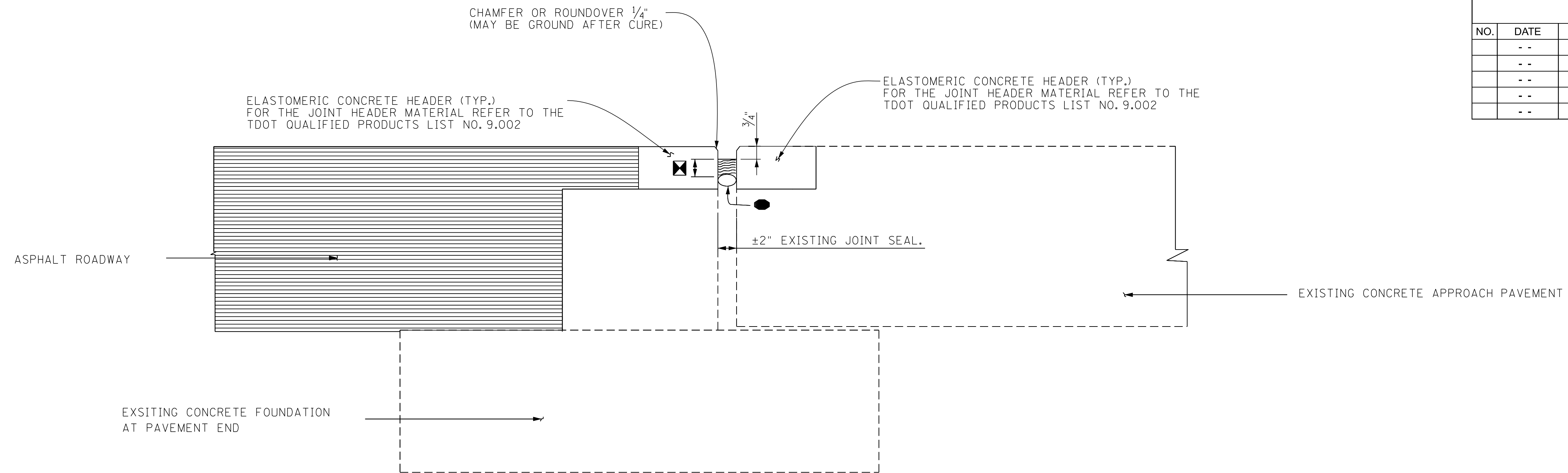
STATE OF TENNESSEE
DEPARTMENT OF TRANSPORTATION

TYPE 1 THIN EPOXY
OVERLAY NOTES
BR.79-SR001-4.38
(79I00400035)
OVER
I-40
SHELBY COUNTY
2026

\$\$\$\$\$TIME\$\$\$\$\$
\$\$\$\$\$DGN\$PEC\$\$\$\$\$

PIN NO.: 123947.00
DESIGN BY: ASHRAF.ARMANIOS DATE: 12/18/2025
DRAWN BY: DARRELL.PALMORE DATE: 12/18/2025
SUPERVISED BY: KEVIN.MARTINKO DATE: 12/18/2025
CHECKED BY:

PROJECT NO.	YEAR	SHEET NO.	
79S001-M3-006	2026	B-4	
REVISIONS			
NO.	DATE	BY	BRIEF DESCRIPTION
-	-	-	-
-	-	-	-
-	-	-	-
-	-	-	-



- NOTE: THE EXISTING JOINT OPENING SHALL BE CAULKED WITH A BACKER ROD OF SUITABLE DIAMETER, THE ROD SHALL BE PLACED AT A DEPTH TO INSURE THE CORRECT WIDTH/DEPTH RATIO OF THE NEW JOINT SEALANT MATERIAL, BACKER ROD SHALL BE AS PER JOINT MANUFACTURERS RECOMMENDATIONS.
- ☒ NOTE: FULL DEPTH OF ALL EXISTING JOINTS SHALL BE RESEALED WITH NEW JOINT SEALER. THE NEW JOINT SEALER SHALL BE A COLD PUOR TWO PART SILICONE SEALER FROM OPL 5.001.

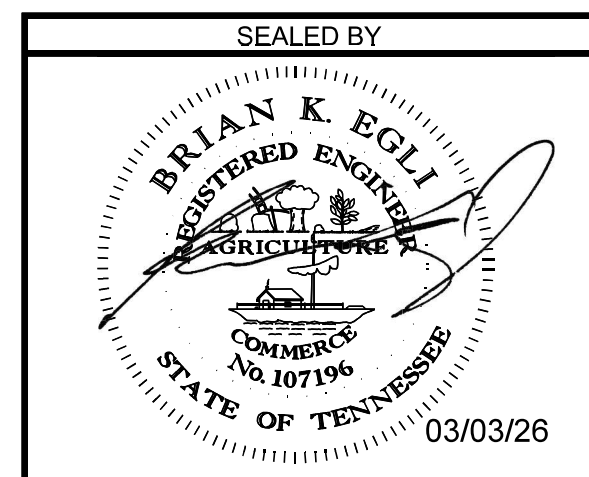
EXPANSION JOINT REPAIR NOTES:

THE JOINT HEADER SYSTEM SHALL BE FROM OPL 9.002. THE JOINT SEAL SYSTEM CONSISTS OF THE ELASTOMERIC HEADER MATERIAL AND A TWO-PART COLD POUR SILICONE SEALANT. THE CONTRACTOR SHALL ALSO HAVE THE OPTION OF USING A PRECOMPRESSED FOAM WITH SILICONE TOPPED PRODUCT (SIMILAR TO AND INCLUDING BEJS) FROM OPL 7.001 WITH AN APPROPRIATELY SIZED SEAL FOR THE JOINT OPENING, AND AN ELASTOMERIC CONCRETE FROM OPL 9.001. THE SYSTEM SHALL BE INSTALLED UNDER THE DIRECT SUPERVISION OF AN AUTHORIZED TECHNICIAN PROVIDED BY THE SYSTEM MANUFACTURER. THE TECHNICIAN MUST APPROVE ALL ASPECTS OF THE GEOMETRY AND PREPARATION OF THE JOINT LOCATIONS PRIOR TO ANY INSTALLATION OF THE JOINT SYSTEM MATERIALS. PRODUCTS FROM OPL 7.001 "ON A ROLL" AND "COMPRESSION ONLY" WILL NOT BE ALLOWED. THE TOP OF THE OPL 7.001 JOINT FILLER SHALL BE A MINIMUM OF 3/4 OF AN INCH BELOW THE ROADWAY SURFACE UNLESS THE MANUFACTURER REQUIRES A DEEPER DEPTH.

MANUFACTURERS SPECIFICATIONS AND INSTALLATION PROCEDURES SHALL BE SUBMITTED TO THE PROJECT ENGINEER FOR REVIEW PRIOR TO THE JOINT REPLACEMENT/REPAIR WORK. THE MANUFACTURER AND THE CONTRACTOR SHALL BE RESPONSIBLE FOR THE WORKMANSHIP OF THE JOINT INSTALLATION.

PRIOR TO THE INSTALLATION OF THE NEW JOINT, THE EXISTING JOINT OPENING SHALL BE CLEANED OF ALL DIRT, DEBRIS, AND PRIOR CONSTRUCTION MATERIAL, ETC., THE FULL DEPTH OF THE OPENING. THE SURFACES WHERE THE NEW MATERIAL BONDS TO STAY IN PLACE, SHALL BE CLEANED PER MANUFACTURERS RECOMMENDATION, TO REMOVE ANY SUBSTANCES THAT WOULD INHIBIT BONDING.

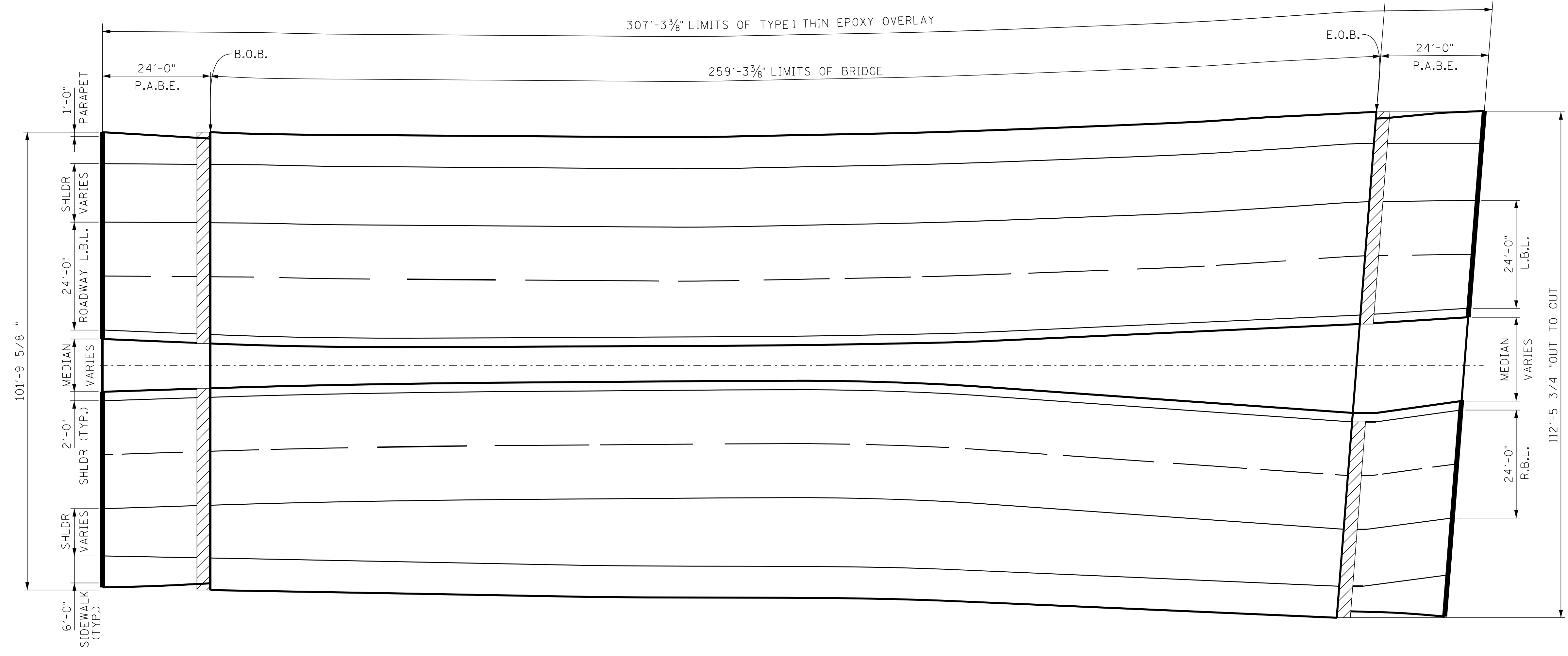
THE COST FOR REMOVING THE OLD JOINT SYSTEM, INSTALLING THE NEW JOINT SYSTEM, LABOR, AND ANY MISCELLANEOUS MATERIALS NECESSARY TO INSTALL THE NEW EXPANSION JOINT, IS TO BE INCLUDED UNDER ITEM NUMBER 604-10.44, EXPANSION JOINT REPAIRS, L.F.



STATE OF TENNESSEE
DEPARTMENT OF TRANSPORTATION
EXPANSION JOINT
REPAIR NOTES
BR.79-SR001-4.38
(79100400035)
OVER
I-40
SHELBY COUNTY
2026

PIN NO.: 123947.00
 DESIGN BY: ASHRAF ARMANIOS DATE: 12/18/2025
 DRAWN BY: DARRELL PALMORE DATE: 12/18/2025
 SUPERVISED BY: KEVIN MARTINKO DATE: 12/18/2025
 CHECKED BY:

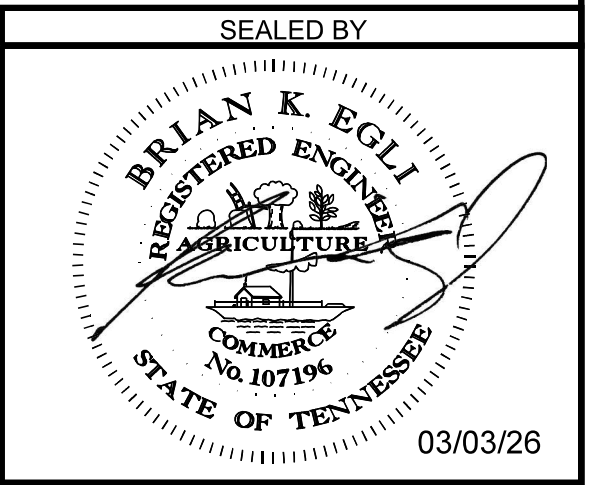
PROJECT NO.	YEAR	SHEET NO.	
79S001-M3-006	2026	B-5	
REVISIONS			
NO.	DATE	BY	BRIEF DESCRIPTION
--			
--			
--			
--			
--			



PLAN VIEW
BR.79-SR001-4.38

DENOTES: APPROXIMATE BRIDGE DECK REPAIRS OR CONCRETE REPAIRS (PARTIAL DEPTH OF APPROACH PAVEMENT)

DENOTES: APPROXIMATE EXPANSION JOINT REPAIRS LOCATIONS



STATE OF TENNESSEE
DEPARTMENT OF TRANSPORTATION

PLAN VIEW
REPAIR LOCATIONS
BR.79-SR 1-4.38
(79I00400035)
OVER
I-40
SHELBY COUNTY
2026

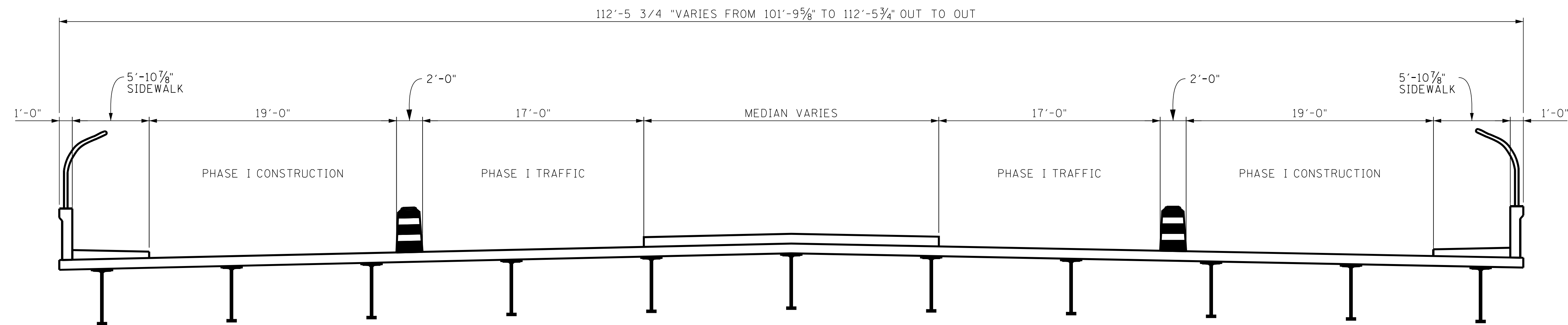
PIN NO.: 123947.00

DESIGN BY: ASHRAF.ARMANIOS DATE: 12/18/2025

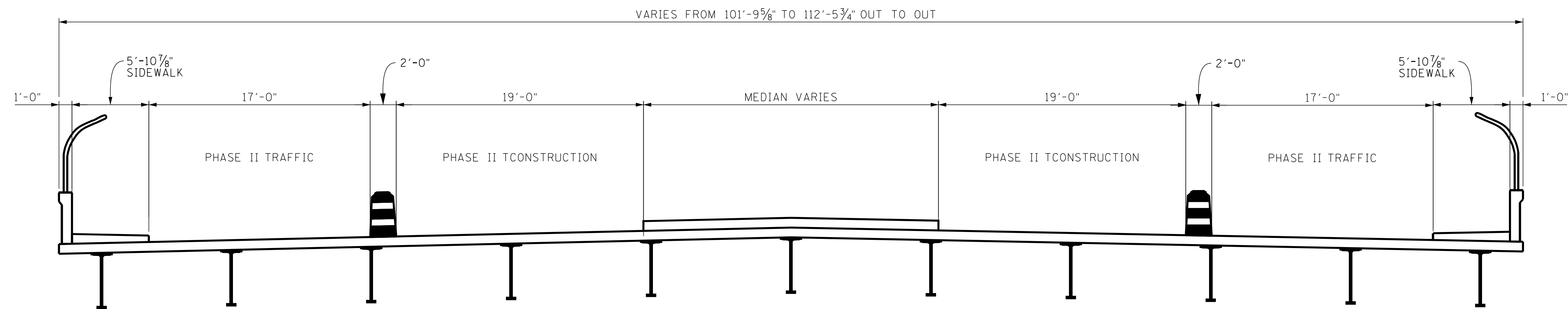
SUPERVISED BY: DARRELL.PALMORE DATE: 12/18/2025

CHECKED BY: KEVIN.MARTINKO DATE: 12/18/2025

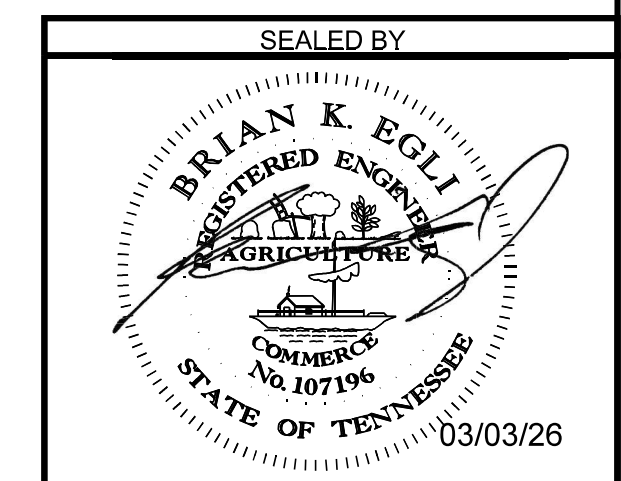
PROJECT NO.	YEAR	SHEET NO.	
79S001-M3-006	2026	B-6	
REVISIONS			
NO.	DATE	BY	BRIEF DESCRIPTION
--			
--			
--			
--			
--			



TYPICAL CROSS-SECTION PHASE I CONSTRUCTION
(LOOKING FORWARD ON SURVEY)



TYPICAL CROSS-SECTION PHASE II CONSTRUCTION
(LOOKING FORWARD ON SURVEY)



STATE OF TENNESSEE
DEPARTMENT OF TRANSPORTATION
PHASING SKETCH
CONSTRUCTION AND
TRAFFIC CONTROL
BR.79-SR001-4.38
(79100400035)
OVER
I-40
SHELBY COUNTY
2026

PIN NO.: 123947.00
DESIGN BY: DATE: / /
DRAWN BY: ASHRAF.ARMANIOS DATE: 12/18/2025
SUPERVISED BY: DARRELL.PALMORE DATE: 12/18/2025
CHECKED BY: KEVIN.MARTINKO DATE: 12/18/2025

SEWER DATA:

- PROPOSED STORM SEWER "B"
450mm
FL = 70.522
- PROPOSED STORM SEWER "C"
1350mm
FL = 66.972
- PROPOSED STORM SEWER "D"
450mm
FL = 70.522
- PROPOSED STORM SEWER "E"
1500mm
FL = 67.000
- PROPOSED STORM SEWER "F"
450mm
FL = 70.190

CONST. NO. 79001-3194-44			
PROJECT NO.	YEAR	SHEET NO.	
IM-40-1(29)2	2003		
REVISIONS			
NO.	DATE	BY	BRIEF DESCRIPTION

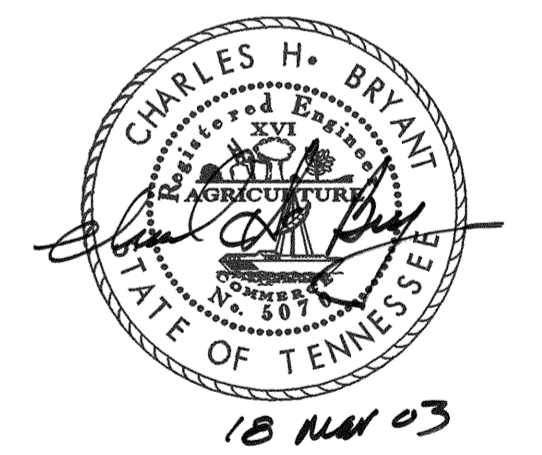
LEGEND:

- ⓕ FIXED BEARING (PROPOSED CONDITION)
- Ⓛ INTEGRAL BEARING (PROPOSED CONDITION)
- DENOTES EXISTING
- DENOTES PROPOSED
- ◇ DENOTES PROPOSED GUARDRAIL ATTACHMENT
- DENOTES PROPOSED LIGHT STANDARD
- DENOTES PROPOSED MANHOLE
- Ⓜ DENOTES ELEC. JUNCTION BOX

NOTES:

1. SEE DWG. NO. M-443-113 FOR LIST OF DRAWINGS, PROFILE GRADES, LIST OF SPECIAL PROVISIONS AND LIST OF REFERENCE DRAWINGS.
2. DECK DRAINAGE TO BE CARRIED BY ROADWAY DRAINS.
3. SEE ROADWAY PLANS FOR ADDITIONAL UTILITY INFORMATION.

ALL DIMENSIONS SHOWN IN MILLIMETERS, WITH THE EXCEPTION OF STATIONS AND ELEVATIONS, UNLESS OTHERWISE NOTED.



PRC. CURB STA. 10+298
18.486m, RT.

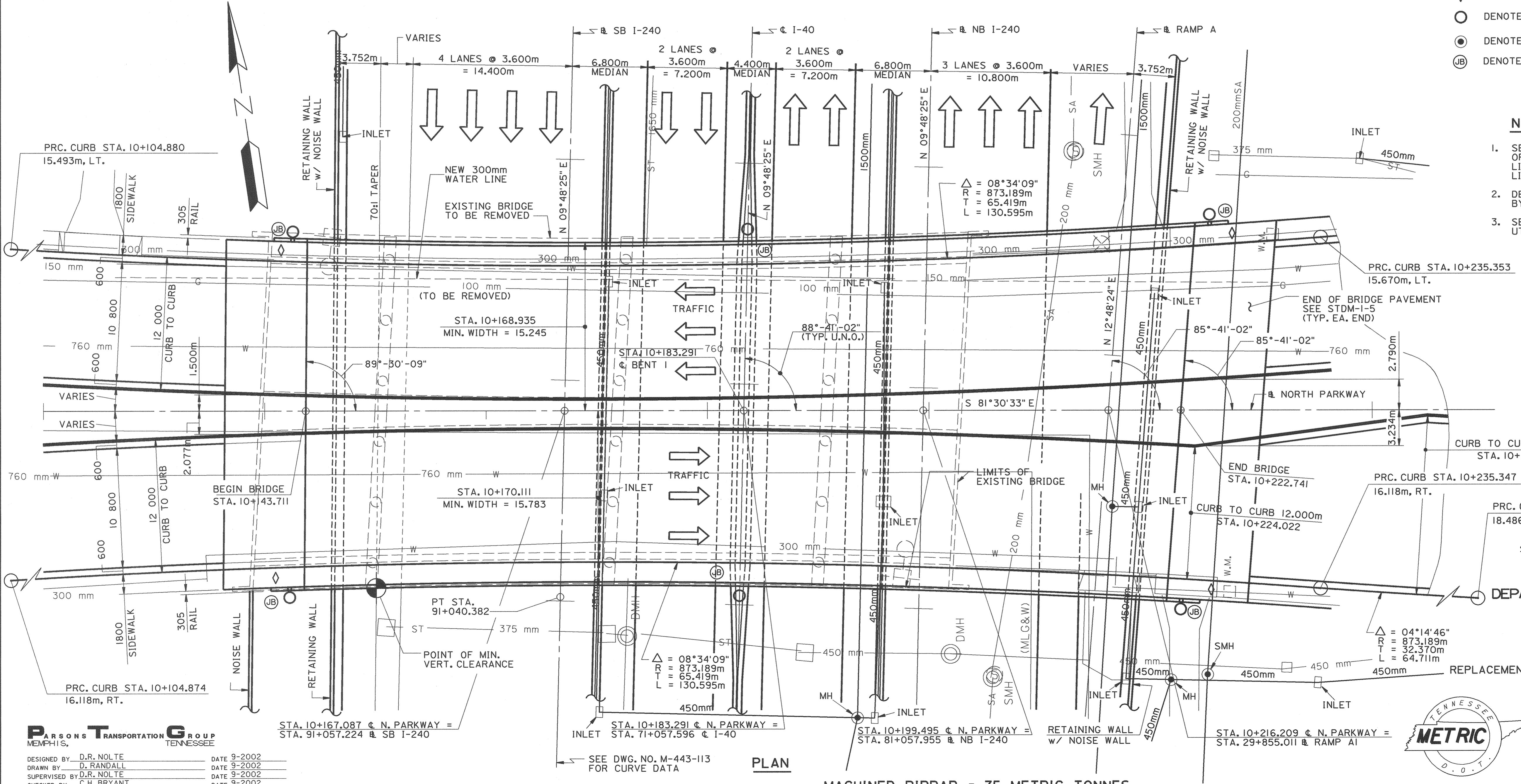
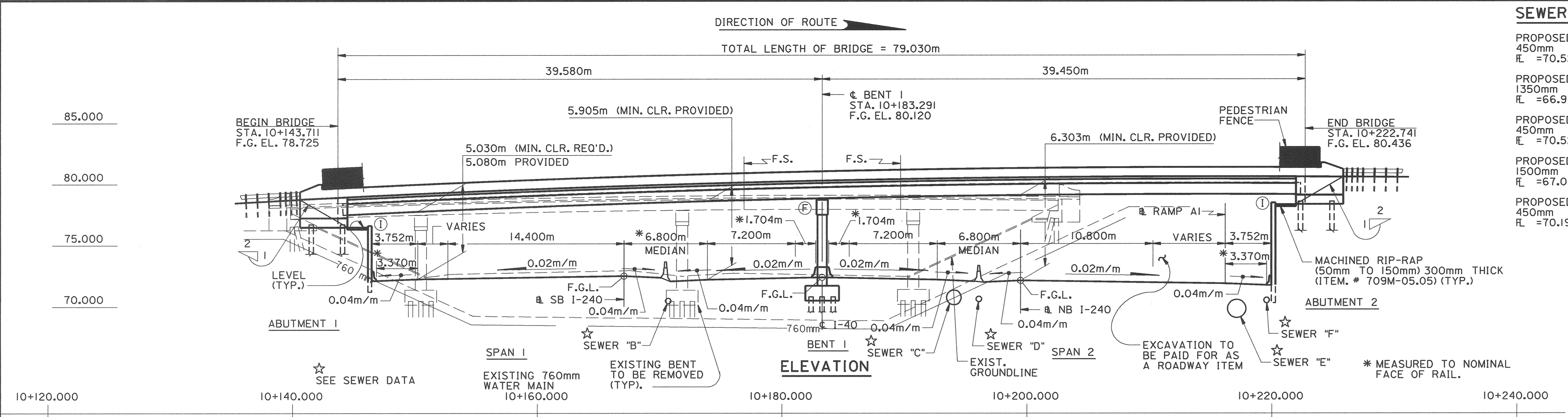
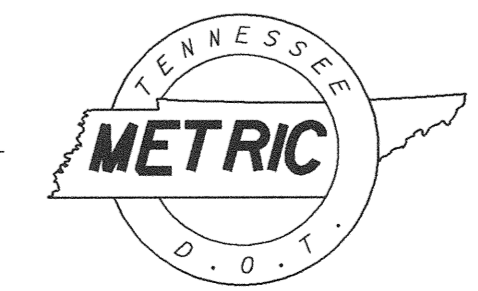
TWO - 12,000m ROADWAYS, 2,100m SIDEWALKS WITH STD-II-1 PARAPETS
DESIGN SPEED = 70 K.P.H.
2022 ADT = 28,000

STATE OF TENNESSEE
DEPARTMENT OF TRANSPORTATION

LAYOUT OF BRIDGE
BRIDGE NO. 4

REPLACEMENT OF NORTH PARKWAY OVER I-40 & I-240
STA. 10+183.291

BRIDGE ID. NO. 79100400035
SHELBY COUNTY
2003



PARSONS TRANSPORTATION GROUP
MEMPHIS, TENNESSEE

DESIGNED BY: D.R. NOLTE
DRAWN BY: D. RANDALL
SUPERVISED BY: D.R. NOLTE
CHECKED BY: C.H. BRYANT

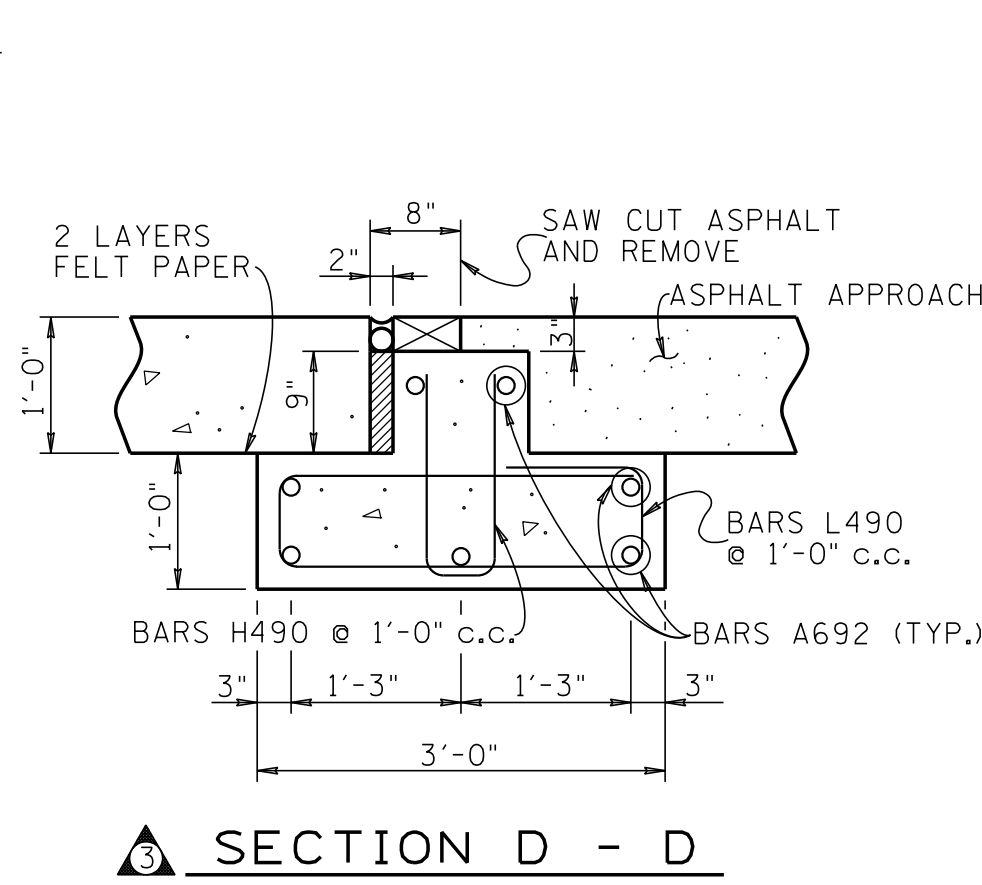
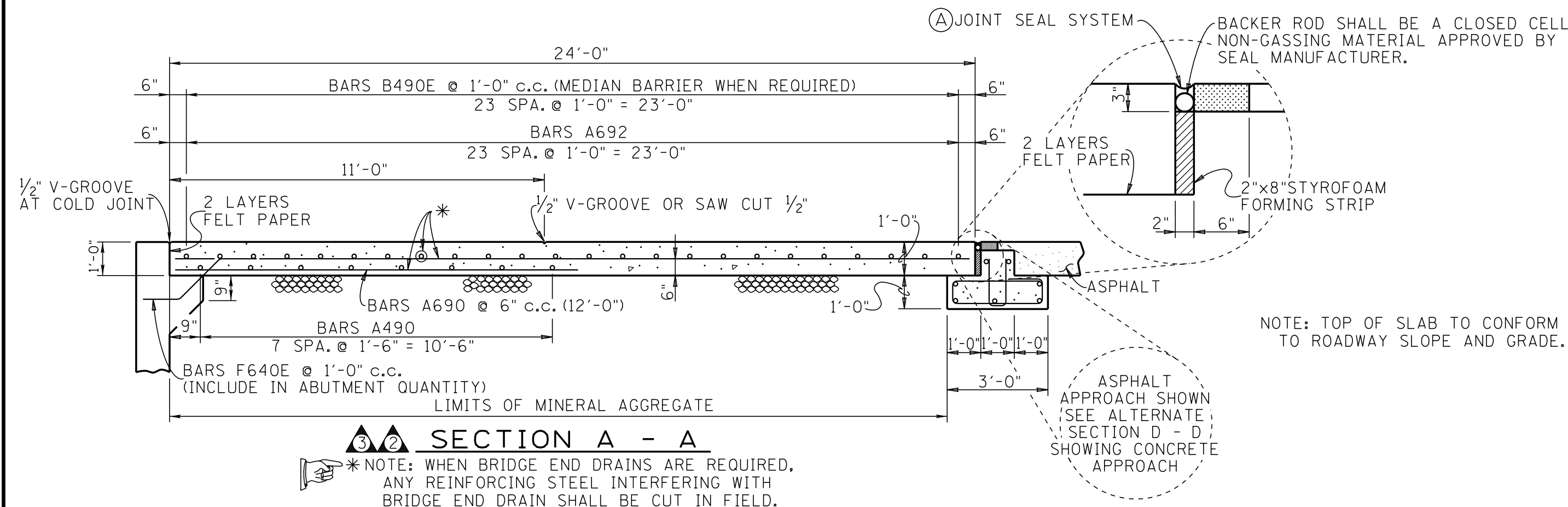
DATE 9-2002
DATE 9-2002
DATE 9-2002
DATE 9-2002

STA. 10+167.087 @ N. PARKWAY =
STA. 91+057.224 @ SB I-240

SEE DWG. NO. M-443-113
FOR CURVE DATA

PLAN

MACHINED RIPRAP = 75 METRIC TONNES



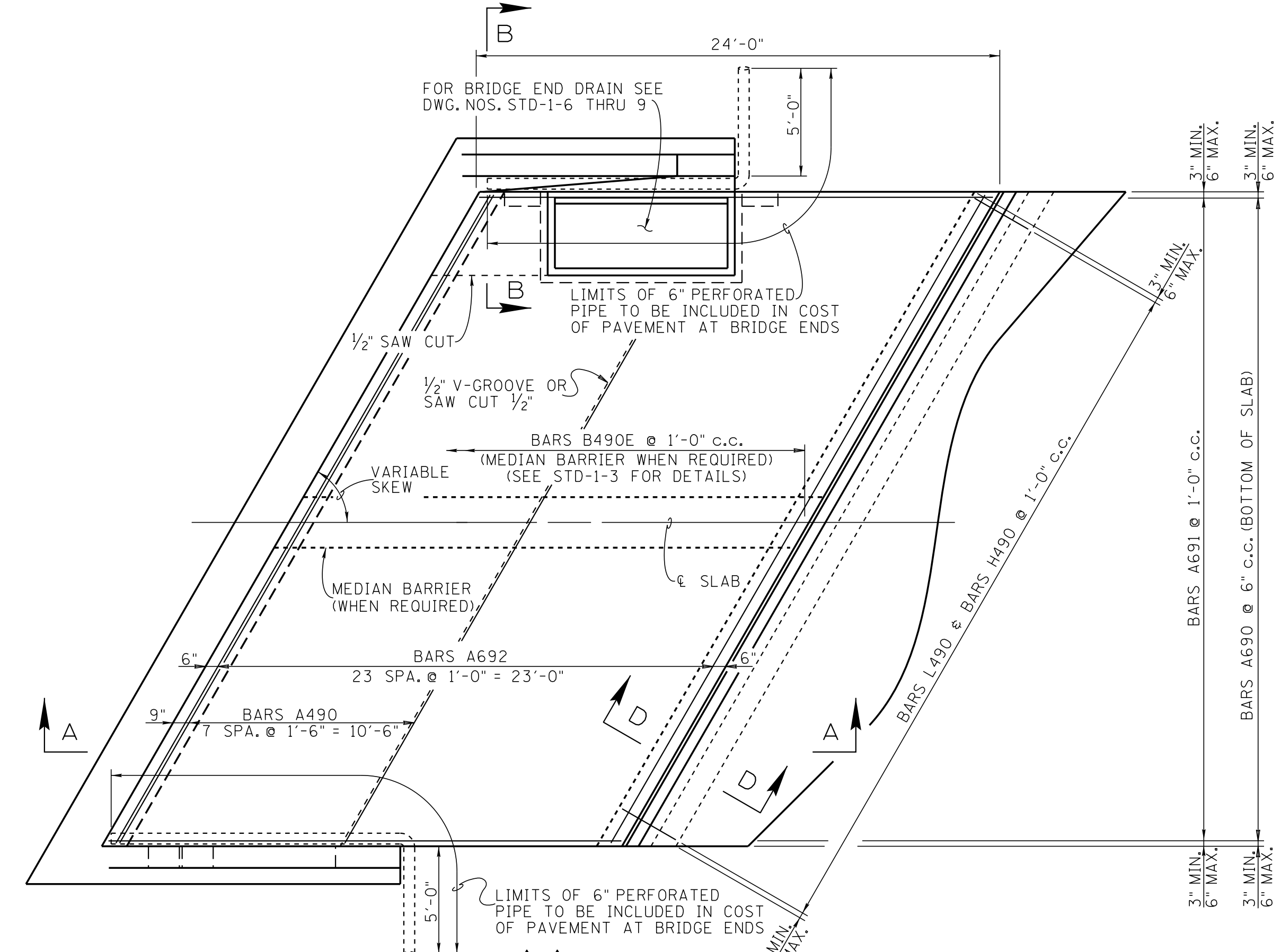
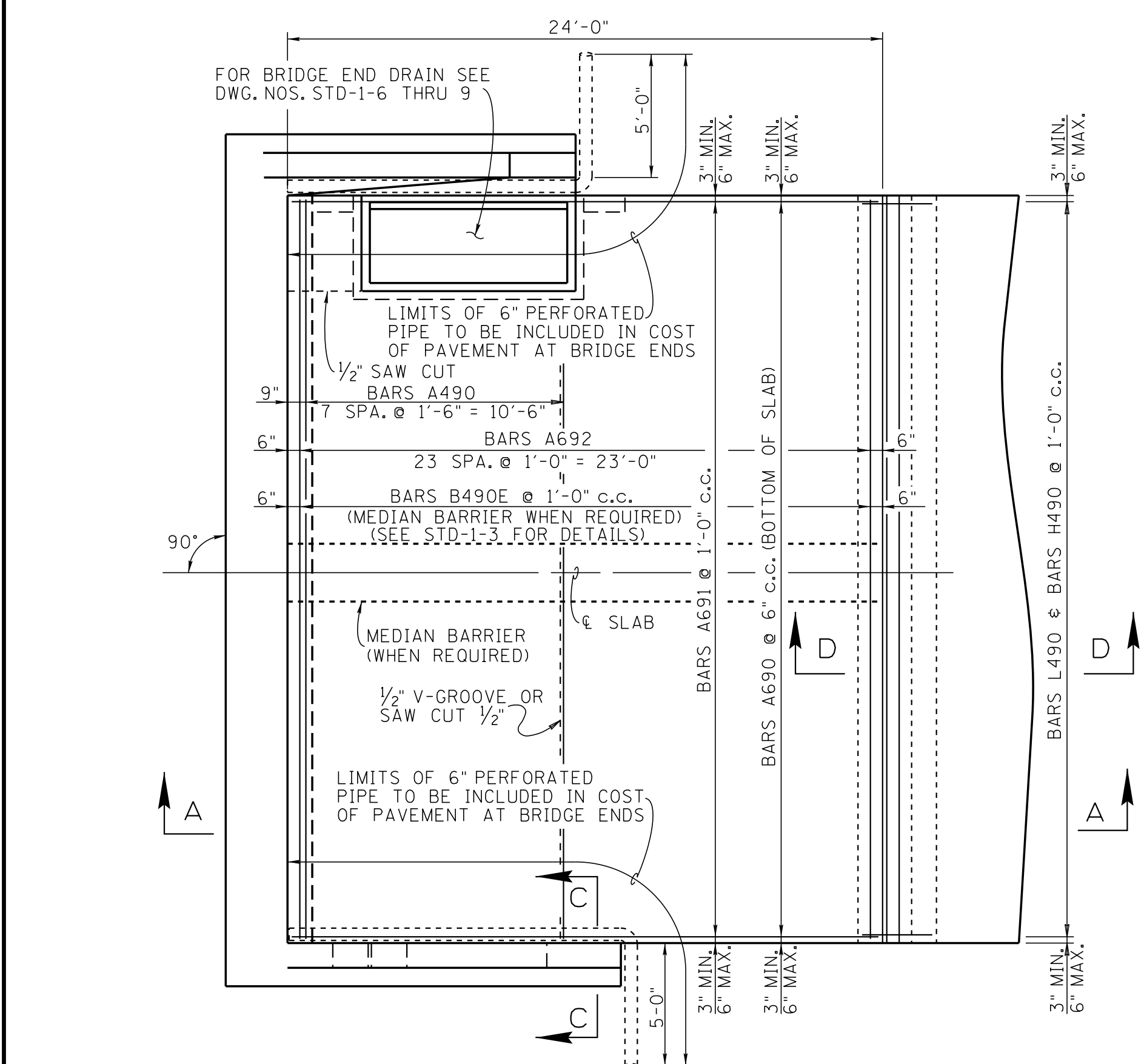
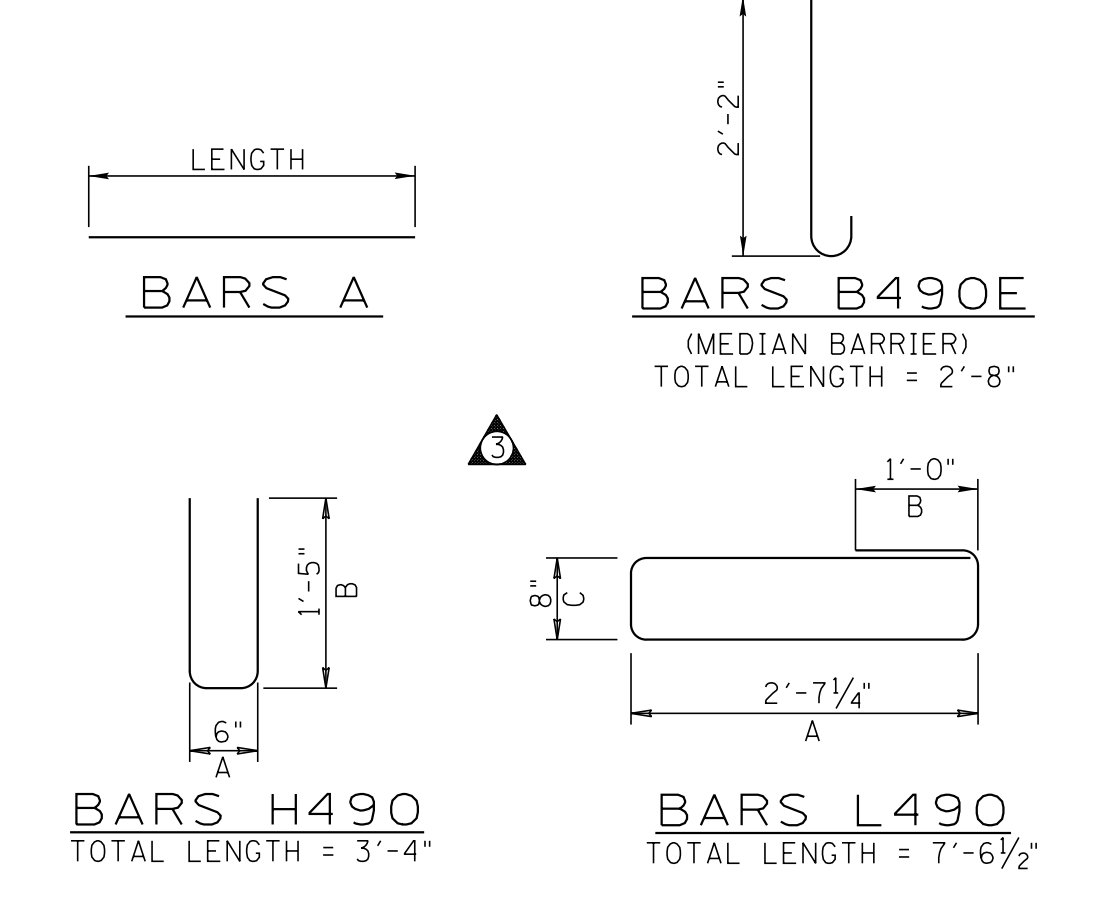
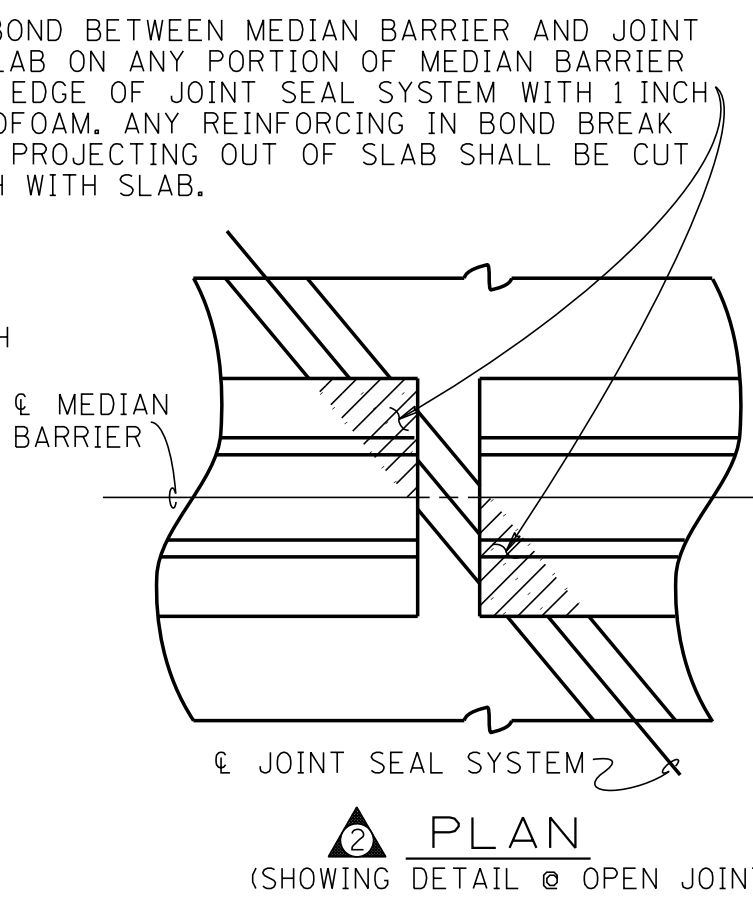
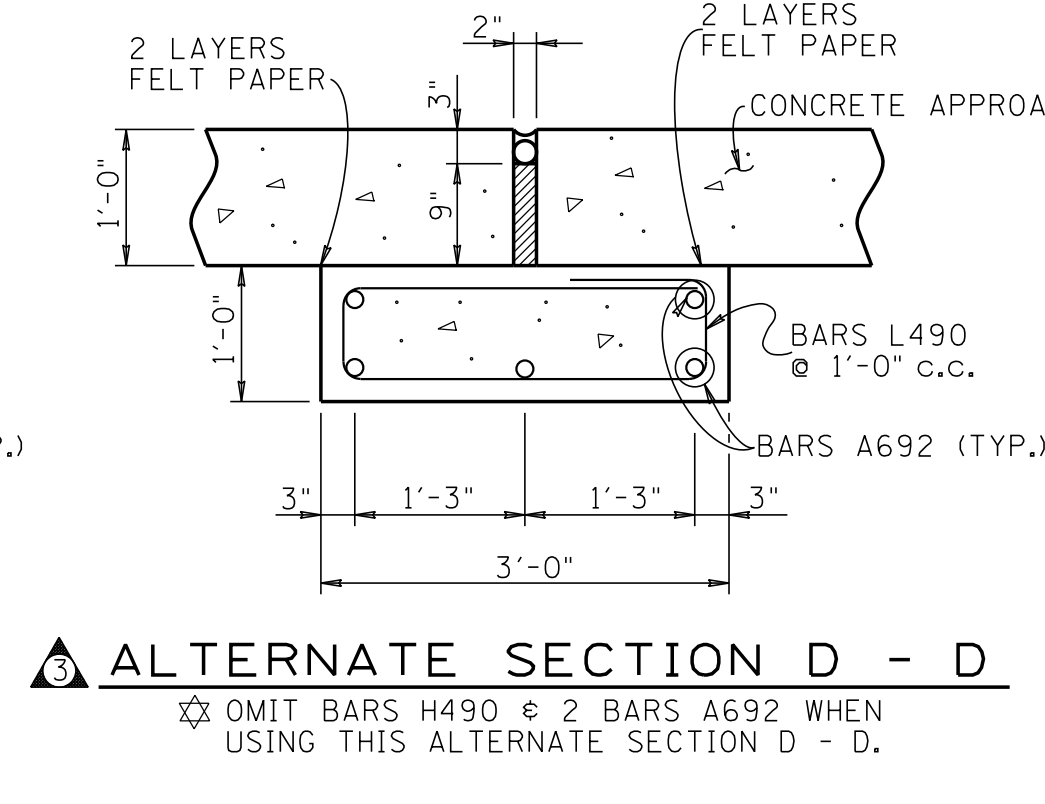
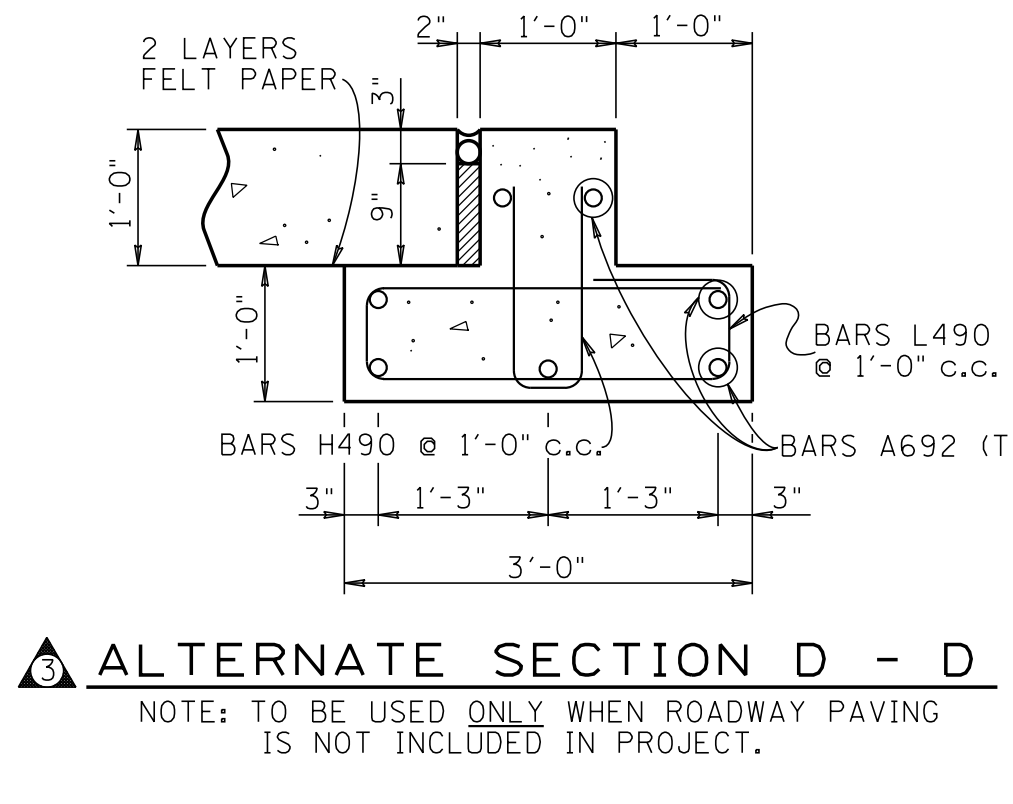
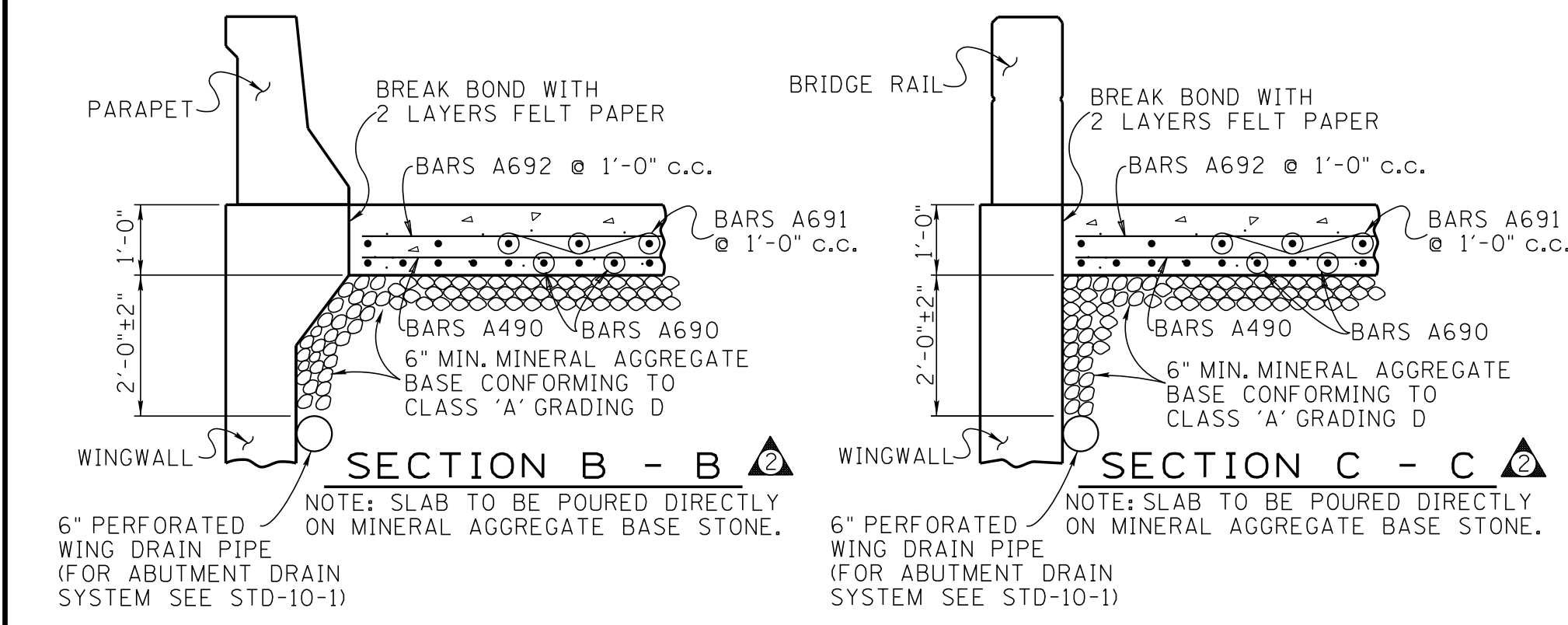
BILL OF STEEL

BARS	LOCATION	SIZE	NO. REQ'D	BENDING DIMENSIONS				LENGTH
				A	B	C	D	
B490E	MEDIAN (WHEN REQ'D.)	4	48					2'-8"
A490	SLAB	4	8					△
A690	SLAB	6	△					12'-0"
A691	SLAB	6	△					23'-8"
A692	SLAB	6	31					△
H490	FOOTING	4	△	6"	1'-4"			3'-4"
L490	FOOTING	4	△	2'-7 1/4"	1'-0"	8"		7'-6 1/2"

△ THESE NUMBERS VARY DEPENDING UPON ROADWAY WIDTH.

PROJECT NO.	YEAR	SHEET NO.
	1995	

REVISIONS			
NO.	DATE	BY	BRIEF DESCRIPTION
1	5-1-95	CMH	GENERAL REVISION REDESIGN
2	12-18-95	CMH	ADDED BARS A490 AND JOINT DETAIL
3	4-28-97	CMH	REVISED JOINT DETAILS AND NOTE
4	9-6-99	CMH	REVISED JOINT NOTE



NOTES

- QUANTITIES FOR CLASS 'A' CONCRETE, REGULAR AND EPOXY COATED REINFORCING STEEL (WHEN REQUIRED FOR MEDIAN BARRIER), BACKER ROD, JOINT SEALER, ELASTOMERIC CONCRETE, STYROFOAM, GRATE AND MISCELLANEOUS MATERIALS FOR BRIDGE END DRAIN, WHEN REQUIRED, ARE TO BE INCLUDED IN PAVEMENT AT BRIDGE ENDS, S.Y. FOR BAR BENDING DIMENSIONS SEE THIS SHEET AND BILL OF STEEL FOR BRIDGE END DRAIN ON DRAWING NO. STD-1-6.
- COST OF MINERAL AGGREGATE CLASS A GRADING D BASE QUANTITY SHALL BE INCLUDED IN COST OF PAVEMENT AT BRIDGE ENDS. CLASS B GRADING C OR D MAY ALSO BE USED.

GENERAL NOTES

CONCRETE: TO BE CLASS 'A' (f'c = 3,000 psi)

REINFORCING STEEL: SHALL BE ASTM A615 GRADE 60 UNLESS NOTED OTHERWISE. SEE SECTION 604 AND 907 OF THE STANDARD SPECIFICATIONS.

SPECIFICATIONS: STANDARD ROAD AND BRIDGE SPECIFICATIONS OF THE TENNESSEE DEPARTMENT OF TRANSPORTATION (CURRENT EDITION).

NOTE: THE APPROACH SLAB SHALL NOT BE POURED UNTIL THE ADJACENT END SPAN DECK SLAB IS IN PLACE AND ACCEPTED BY THE ENGINEER.

NOTE: THE APPROACH SLAB CONTROL ELEVATIONS SHALL BE ADJUSTED, (IF REQUIRED), SO AS TO MATCH THE IN PLACE DECK SLAB IN BOTH TRANSVERSE AND LONGITUDINAL DIRECTIONS.

JOINT SEAL SYSTEM:
THE EXPANSION JOINT SYSTEM USED SHALL BE ON THE TDOT APPROVED QUALIFIED LISTS FOR ACCEPTABLE PRODUCTS. THE JOINT SYSTEM SHALL BE INSTALLED UNDER THE DIRECT SUPERVISION OF AN AUTHORIZED TECHNICIAN PROVIDED BY THE EXPANSION JOINT SUPPLIER.

DESIGNED BY: C.M. HILES
 DRAWN BY: KIM FRANKENFIELD
 SUPERVISED BY: C.M. HILES
 CHECKED BY: _____

DATE: 4-95
 DATE: 4-95
 DATE: _____

CORRECT *Edward P. Wasserman*
 ENGINEER OF STRUCTURES

STATE OF TENNESSEE
 DEPARTMENT OF TRANSPORTATION

REINFORCED CONCRETE PAVEMENT AT BRIDGE ENDS 1995

MINOR REVISION - FHWA APPROVAL NOT REQUIRED

SHEET 5 OF 13
 STD-1-5